



**L6SE62B**

**EN** User Manual | **Washing Machine**  
**IT** Istruzioni per l'uso | **Lavabiancheria**

**2**

**41**



## Welcome to AEG! Thank you for choosing our appliance.



In our drive to be sustainable, we are reducing paper assets and provide full user manuals online. Access your full user manual at [aeg.com/manuals](http://aeg.com/manuals)



Get usage advice, brochures, troubleshooting, service and repair information at [aeg.com/support](http://aeg.com/support)



Buy accessories, consumables, and original spare parts for your appliance at [aeg.com/shop](http://aeg.com/shop)

Subject to change without notice.

## CONTENTS

1. SAFETY INFORMATION.....	2
2. SAFETY INSTRUCTIONS.....	4
3. PRODUCT DESCRIPTION.....	6
4. TECHNICAL DATA.....	7
5. INSTALLATION.....	8
6. CONTROL PANEL.....	12
7. DIAL AND BUTTONS.....	14
8. PROGRAMMES.....	16
9. SETTINGS.....	20
10. BEFORE FIRST USE.....	22
11. DAILY USE.....	22
12. HINTS AND TIPS.....	27
13. CARE AND CLEANING.....	28
14. TROUBLESHOOTING.....	33
15. CONSUMPTION VALUES.....	36
16. QUICK GUIDE.....	37
17. ENVIRONMENTAL CONCERNS.....	40

## 1. ⚠ SAFETY INFORMATION



Before beginning the installation and use of this appliance, carefully read the supplied instructions. The manufacturer is not responsible for any injuries or damage that are the result of incorrect installation or usage. Always keep the instructions in a safe and accessible location for future reference.

## **1.1 Children and vulnerable people safety**

- This appliance can be used by children aged from 8 years and above and persons with reduced physical, sensory or mental capabilities or lack of experience and knowledge if they have been given supervision or instruction concerning the use of the appliance in a safe way and understand the hazards involved.
- Children between 3 and 8 years of age and persons with very extensive and complex disabilities shall be kept away from the appliance unless continuously supervised.
- Children of less than 3 years of age should be kept away from the appliance unless continuously supervised.
- Children should be supervised to ensure that they do not play with the appliance.
- Keep all packaging away from children and dispose of it appropriately.
- Keep detergents away from children.
- Keep children and pets away from the appliance when the door is open.
- If the appliance has a child safety device, it should be activated.
- Children shall not carry out cleaning and user maintenance of the appliance without supervision.

## **1.2 General Safety**

- This appliance is for washing domestic-type, machine-washable laundry only.
- This appliance is designed for single household domestic use in an indoor environment.
- This appliance may be used in offices, hotel guest rooms, bed & breakfast guest rooms, farm guest houses and other similar accommodation where such use does not exceed (average) domestic usage levels.
- Do not change the specification of this appliance.

- The appliance maximum load is 6.0 kg. Do not exceed the maximum load of each programme (refer to the “Programmes” chapter).
- The operating water pressure at the water entry point from the outlet connection must be between 0.5 bar (0.05 MPa) and 10 bar (1.0 MPa).
- The ventilation opening in the base must not be covered by a carpet, mat, or any floor covering.
- The appliance must be connected to the water mains using the new supplied hose sets, or other new hose sets supplied by the Authorised Service Centre.
- Old hose sets must not be reused.
- If the mains power supply cable is damaged, it must be replaced by the manufacturer, its Authorised Service Centre or similarly qualified persons to avoid an electrical hazard.
- Before any maintenance operation, deactivate the appliance and disconnect the mains plug from the socket.
- Do not use high pressure water sprays and/or steam to clean the appliance.
- Clean the appliance with a moist cloth. Use only neutral detergents. Do not use abrasive products, abrasive cleaning pads, solvents or metal objects.

## 2. SAFETY INSTRUCTIONS

### 2.1 Installation



The installation must comply with relevant national regulations.

- Remove all the packaging and the transit bolts including rubber bush with plastic spacer.
- Keep the transit bolts in a safe place. If the appliance is to be moved in the future they must be reattached to lock the drum to prevent an internal damage.
- Always take care when moving the appliance as it is heavy. Always use safety gloves and enclosed footwear.
- Follow the installation instructions supplied with the appliance.
- Do not install or use a damaged appliance.
- Do not install or use the appliance where the temperature can be less than 0°C or where it is exposed to the weather.
- The floor area on which the appliance is to be installed must be flat, stable, heat resistant and clean.
- Make sure that there is air circulation between the appliance and the floor.
- When the appliance is in its permanent position, check if it is levelled correctly with the aid of a spirit level. If it is not, adjust the feet accordingly.

- Do not install the appliance directly above a floor drain.
- Do not spray water on the appliance and do not expose it to excessive humidity.
- Do not install the appliance where the appliance door cannot be fully opened.
- Do not put a closed container to collect possible water leakage under the appliance. Contact the Authorised Service Centre to ensure which accessories can be used.

## 2.2 Electrical connection

### **WARNING!**

Risk of fire and electric shock.

- **WARNING:** This appliance is designed to be installed / connected to a grounding connection in the building.
- Always use a correctly installed shockproof socket.
- Make sure that the parameters on the rating plate are compatible with the electrical ratings of the mains power supply.
- Do not use multi-plug adapters and extension cables.
- Make sure not to cause damage to the mains plug and to the mains cable. Should the mains cable need to be replaced, this must be carried out by our Authorised Service Centre.
- Connect the mains plug to the mains socket only at the end of the installation. Make sure that there is access to the mains plug after the installation.
- Do not touch the mains cable or the mains plug with wet hands.
- Do not pull the mains cable to disconnect the appliance. Always pull the mains plug.

## 2.3 Water connection

- The inlet water shall not exceed 25 °C.
- Do not cause damage to the water hoses.
- Before connection to new pipes, pipes not used for a long time, where repair work has been carried out or new devices fitted (water meters, etc.), let the water flow until it is clean and clear.
- Ensure that there are no visible water leaks during and after the first use of the appliance.

- Do not use an extension hose if the inlet hose is too short. Contact the Authorised Service Centre for the replacement of the inlet hose.
- When unpacking the appliance, It is possible to see water flowing from the drain hose. This is due to the testing of the appliance with the use of water in the factory.
- You can extend the drain hose to maximum 400 cm. Contact the Authorised Service Centre for the other drain hose and the extension.
- Make sure that there is access to the tap after the installation.

## 2.4 Use

### **WARNING!**

Risk of injury, electric shock, fire, burns or damage to the appliance.

- Follow the safety instructions on the detergent packaging.
- Do not put flammable products or items that are wet with flammable products in, near or on the appliance.
- Do not wash fabrics which are heavily soiled with oil, grease or other greasy substances. It can damage rubber parts of the appliance. Prewash such fabrics by hand before loading them into the appliance.
- Do not use laundry fragrances to avoid the risk of damaging plastic and rubber parts of the appliance.
- Do not touch the glass door while a programme operates. The glass can get hot.
- Make sure that all metal objects are removed from the laundry.

## 2.5 Service

- To repair the appliance contact the Authorised Service Centre. Use original spare parts only.
- Please note that self-repair or non-professional repair can have safety consequences and might void the guarantee.
- The following spare parts are available for at least 10 years after the model has been discontinued: motor and motor brushes,

transmission between motor and drum, pumps, shock absorbers and springs, washing drum, drum spider and related ball bearings, heaters and heating elements, including heat pumps, piping and related equipment including hoses, valves, filters and aquastops, printed circuit boards, electronic displays, pressure switches, thermostats and sensors, software and firmware including reset software, door, door hinge and seals, other seals, door locking assembly, plastic peripherals such as detergent dispensers. The duration may be longer in your country. For further information, please visit our website.

- Please note that some of these spare parts are only available to professional repairers, and that not all spare parts are relevant for all models.
- Concerning the lamp(s) inside this product and spare part lamps sold separately: These lamps are intended to withstand extreme physical conditions in household appliances, such as temperature,

vibration, humidity, or are intended to signal information about the operational status of the appliance. They are not intended to be used in other applications and are not suitable for household room illumination.

## 2.6 Disposal

### **WARNING!**

Risk of injury or suffocation.

- Disconnect the appliance from the mains electrical and water supplies.
- Cut off the mains electrical cable close to the appliance and dispose of it.
- Remove the door catch to prevent children or pets from becoming trapped in the drum.
- Dispose of the appliance in accordance with local requirements for the disposal of Waste Electrical and Electronic Equipment (WEEE).

## 3. PRODUCT DESCRIPTION

### 3.1 Special features

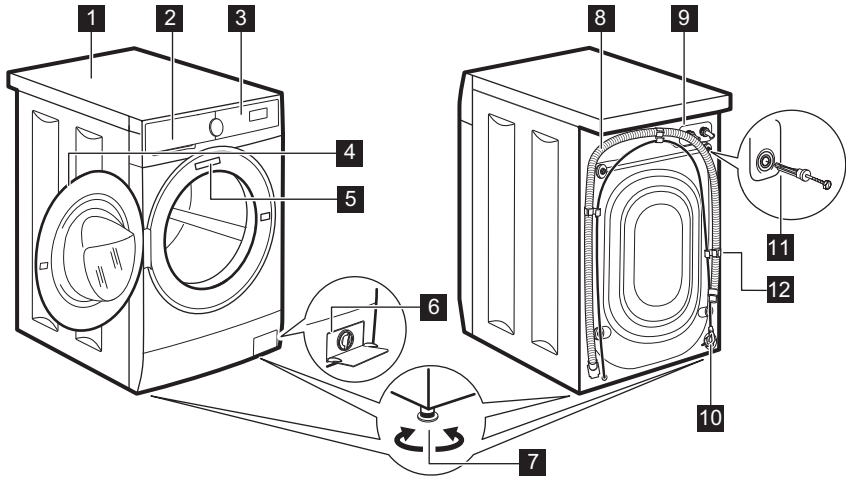
Your new washing machine meets all modern requirements for an effective treatment of laundry with low water, energy and detergent consumption and proper care of fabric.

- The **ProSense technology** detects the laundry load size defining the program duration in 30 seconds. The washing

program is tailored to the laundry load and the type of fabric without consuming more time, energy and water than necessary.

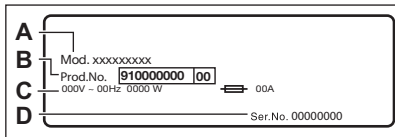
- Thanks to the **Più Morbido option**, the fabric softener is uniformly spread out in the laundry and deeply penetrates the fabric fibres favouring a perfect softness.

### 3.2 Appliance overview



- 1** Worktop
- 2** Detergent dispenser
- 3** Control panel
- 4** Door handle
- 5** Rating plate
- 6** Drain pump filter
- 7** Feet for levelling the appliance

- 8** Drain hose
- 9** Inlet hose connection
- 10** Mains cable
- 11** Transit bolts
- 12** Hose support



The rating plate reports the model name (A), product number (B), electrical ratings (C) and serial number (D).

## 4. TECHNICAL DATA

Dimension	Width/ Height/ Total depth	59.5 cm / 84.3 cm / 41.6 cm
Electrical connection	Voltage Overall power Fuse Frequency	230 V 1900 W 10 A 50 Hz

Level of protection against ingress of solid particles and moisture ensured by the protective cover, except where the low voltage equipment has no protection against moisture IPX4

Water supply pressure	Minimum	0.5 bar (0.05 MPa)
	Maximum	10 bar (1.0 MPa)
Water supply <sup>1)</sup>		Cold water
Maximum Load	Cotton	6.0 kg

1) Connect the water inlet hose to a water tap with a 3/4" thread.

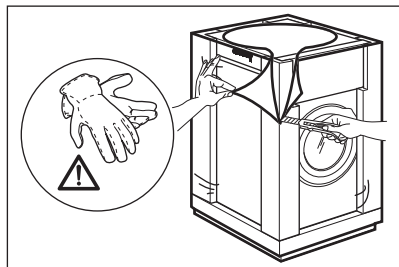
## 5. INSTALLATION

### ⚠ WARNING!

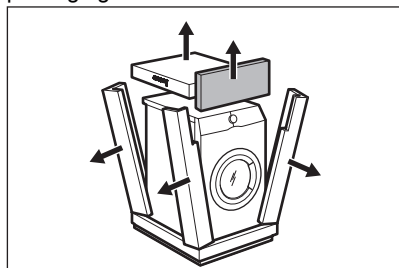
Refer to Safety chapters.

### 5.1 Unpacking

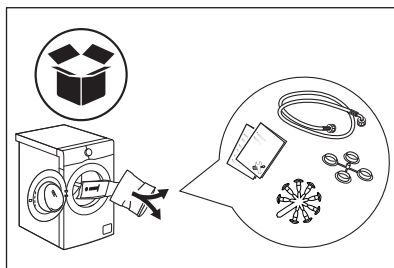
1. Remove the external film. If necessary, use a cutter.



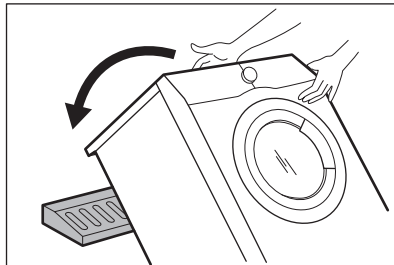
2. Remove the cardboard top and the packaging materials.



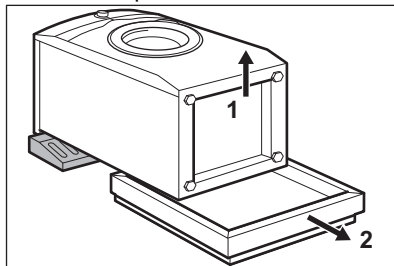
3. Open the door. Remove all the items from the drum.



4. Put the corner element on the floor behind the appliance. Carefully put down the appliance onto its rear side.

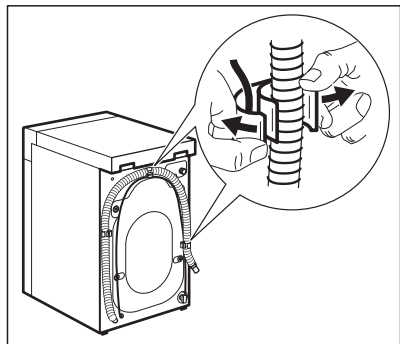


5. Remove the protection from the bottom.



6. Put the appliance back into an upright position. Remove the power supply cable

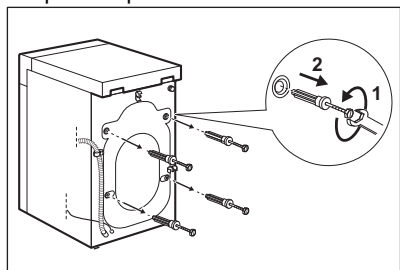
and the drain hose from the hose holder.



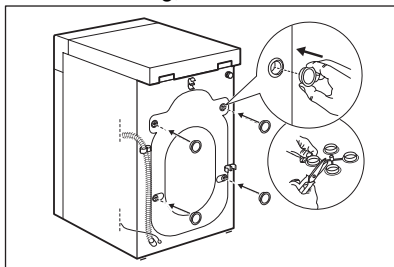
**⚠ WARNING!**

It is possible to see water flowing from the drain hose. This is because the washing machine has been tested at the factory.

7. Remove the four transit bolts and pull out the plastic spacers.



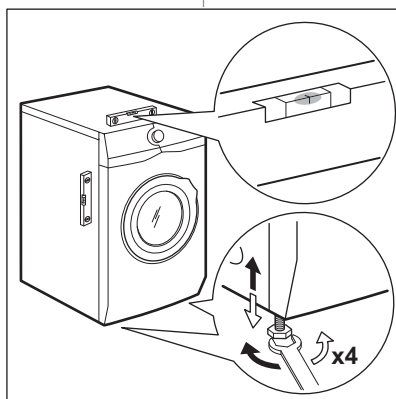
8. Put the plastic caps, that you find in the user manual bag, in the holes.



We recommend that you keep the packaging and the transit bolts for any transport of the appliance.

## 5.2 Positioning and levelling

Adjust the appliance correctly to prevent vibration, noise and movement of the appliance when it operates.



1. Install the appliance on a flat hard floor.  
The appliance must be levelled and

stable. Make sure that the appliance does not touch the wall or other units and there is air circulation below the appliance.

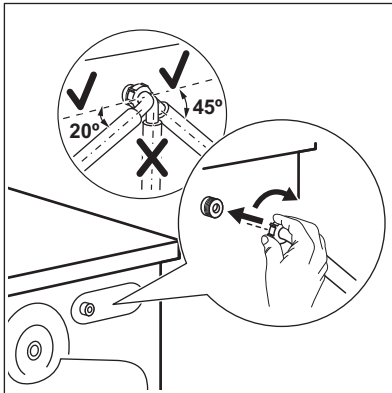
- Loosen or tighten the feet to adjust the level. All feet must rest firmly on the floor.

**⚠ WARNING!**

Do not put cardboard, wood or equivalent materials below the appliance feet to adjust the level.

### 5.3 The inlet hose

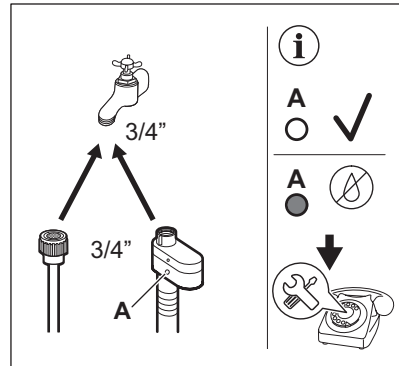
- Connect the water inlet hose to the back of the appliance if needed. Usually, it is already installed at the factory.



- Position it toward left or right depending on the position of the tap. Make sure that the inlet hose is not in vertical position.
- If necessary, loose the ring nut to set it in the correct position
- Connect the water inlet hose to the cold water tap with 3/4" thread.

Some model can contain inlet hose with water stop device. It prevents any leaks in the hose because of its natural ageing. The sector in the window shows this fault A. If this occurs, close the water tap and contact the

authorized service center for information to replace the hose.



**⚠ WARNING!**

The inlet water shall not exceed 25 °C.

**⚠ CAUTION!**

Make sure that there are no leaks from the couplings.

**i**

Do not use an extension hose if the inlet hose is too short. Contact the service centre for information on inlet hose replacement.

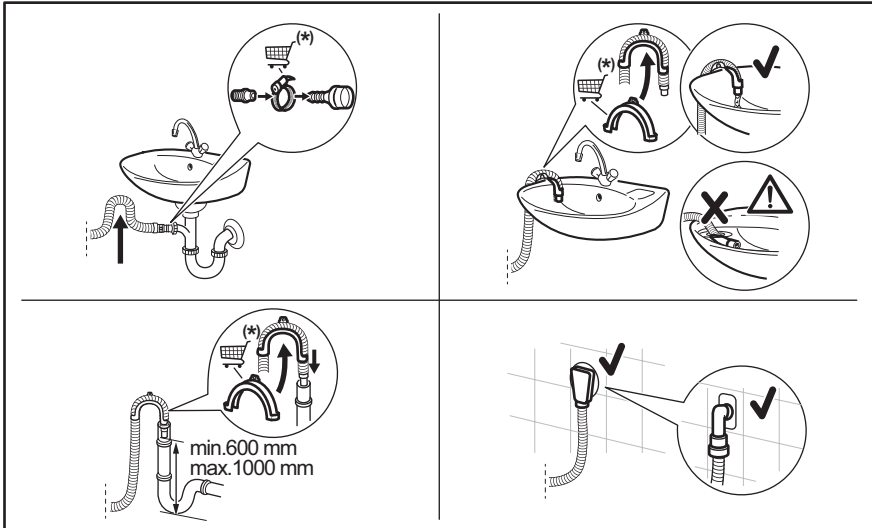
### 5.4 Water drainage

The drain hose should be positioned at a height of not less than 60 cm and not more than 100 cm from the floor.

**i**

You can extend the drain hose to maximum 400 cm. Contact the authorized service centre to buy the other drain hose and the extension.

It is possible to connect the drain hose in different ways:



(\*) Subject to change without notice.

- Connect the drain hose to the spigot and tighten it with a clamp.
- Position the hose directly to a built-in drain pipe in the room wall and tighten it with a clamp.
- Without the plastic hose guide, to a sink spigot - put the drain hose in the spigot and tighten it with a clamp.
- To a stand pipe with vent hole - insert the drain hose directly into a drain pipe or stand pipe.
- The drain hose can be bent into U shape and put around the plastic guide. On the edge of a sink - fasten the guide to the water tap or to the wall.



Make sure that the drain hose makes a loop to prevent particles going into the appliance from the sink.



Make sure that the plastic guide cannot move when the appliance drains and the drain hose end is not immersed in the water. There may be a return of dirty water into the appliance. Buy accessories from authorised supplier.



The end of the drain hose must always be ventilated, i.e. the inner diameter of the drain pipe (min. 38 mm - min. 1.5") must be larger than the external diameter of the drain hose.

## 5.5 Electrical connection

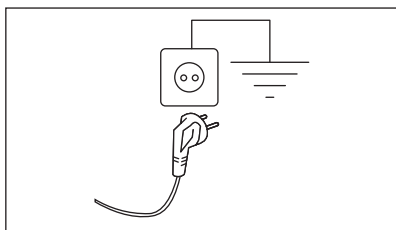
At the end of installation you can connect the mains plug to the mains socket.

The rating plate and the 'Technical Data' chapter indicate the necessary electrical ratings. Make sure that they are compatible with the mains power supply.

Check that your domestic electrical installation can take the maximum load

required, also taking into account any other appliances may also be in use.

### Connect the appliance to an earthed socket.



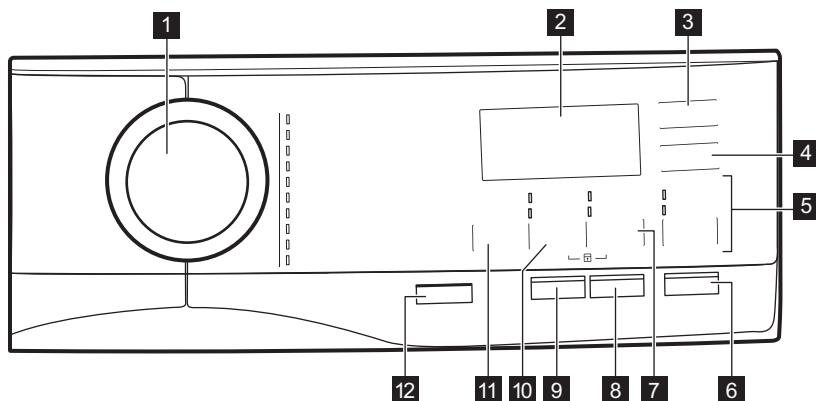
The power supply cable must be easily accessible after installing the appliance.

For any electrical work required to install this appliance, contact our Authorised Service Centre.

The manufacturer does not accept any responsibility for damage or injury through failure to comply with the above safety precaution.

## 6. CONTROL PANEL

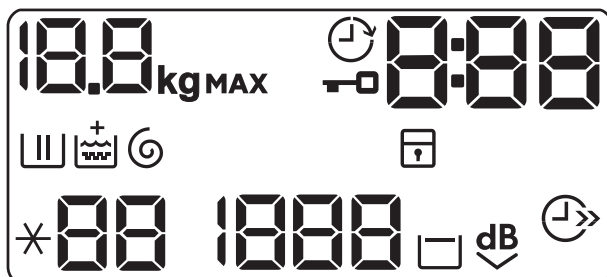
### 6.1 Control panel description



- 1** Programme dial
- 2** Display
- 3** Partenza Ritardata touch button
- 4** Risparmio Tempo touch button
- 5** Risciacquo touch button
  - Extra Risciacquo option
  - Skipping wash phase - Solo Risciacquo
- 6** Avvio/Pausa touch button
- 7** Macchie Plus/Prelavaggio touch button

- Macchie option
- Prelavaggio option
- 8** Hygiene button (Hygiene)
- 9** Più Morbido touch button
- 10** Centrifuga touch button
  - Skipping phases - Solo Scarico
  - Skipping phases - Solo Centrifuga
- 11** Temperatura touch button
- 12** On/Off push button

## 6.2 Display



Maximum load indicator. The **kg** icon flashes during programme time estimation (refer to "PROSENSE load detection" paragraph).



Delay start indicator.



Door locked indicator.



The digital indicator can show:

- Programme duration (e. g. **2:40**).
- Delay time (e. g. **30'** or **2h**).
- Cycle end (**0**).
- Alarm code (e.g. **E20**).
- Indication of total operating hours of the appliance. Refer to the 'Operating hours counter' section in the 'Settings' paragraph for more details.



Washing phase indicator: it flashes during prewash and wash phase.



Rinsing phase indicator: it flashes during rinse phase.



The **+** indicator appears when the Più Morbido option is activated.



Spin and drain phase indicator. It flashes during spin and drain phase.



Child safety lock indicator.



Time saving indicator.



Temperature indicator. The **\*\*** indicator appears when a cold wash is set.



Spin speed indicator.



Rinse hold indicator.



Extra Silent indicator.

## 7. DIAL AND BUTTONS

### 7.1 On/Off

Pressing this button for a few seconds allows to activate or deactivate the appliance. Two different tunes sound while switching the appliance on or off.

As the Stand-by function automatically deactivates the appliance to decrease the energy consumption in a few cases, you may need to activate the appliance again.



**The default selected programme, at machine switch on, is always the Eco 40-60 programme, also after wake up from standby.**

For more details, refer to Stand-by paragraph in Daily Use chapter.

### 7.2 Introduction





The options/functions are not selectable with all washing programmes. Check the compatibility between options/functions and washing programmes in the "Programme Chart". An option/function can exclude another one, in this case the appliance doesn't allow you to set the incompatible options/functions together. Make sure the screen and touch buttons are always clean and dry.

### 7.3 Temperatura

When you select a washing programme, the appliance automatically proposes a default temperature.

Touch this button repeatedly until the desired temperature value appears on the display.

When the display shows the indicators  and , the appliance does not heat the water.

### 7.4 Centrifuga

When you set a programme, the appliance automatically sets the default spin speed allowed.

Touch repeatedly this button to:


- **Change the spin speed.**



The display shows only the spin speeds available for the set programme.

- **Activate the Rinse Hold option.**

The final spin is not performed. The water of the last rinse is not drained out to prevent the fabrics from creasing. The washing programme ends with water in the drum.

The display shows the indicator . The door stays locked and the drum turns regularly to reduce creasing. You must drain the water to unlock the door.


If you touch the Avvio/Pausa button, the appliance performs the spinning phase and drains the water.



The appliance empties the water out automatically after 18 hours approximately.


- **Activate the Extra Silent option.**

The intermediate and the final spinning phases are suppressed and the programme ends with water in the drum. This helps to reduce creasing.

The display shows the indicator . The door stays locked. The drum turns regularly to reduce creasing. You must drain the water to unlock the door. As the programme is very quiet, it is suitable for use at night time when cheaper electricity tariffs are available. In some programmes the rinses are performed with more water. If you touch the Avvio/Pausa button, the appliance performs the only draining phase.




The appliance empties the water out automatically after 18 hours approximately.

- **Activate the drain-only option (Skipping the wash, rinse and spin phases):** Solo Scarico.  
The appliance performs the only draining phase of the selected washing programme.  
The display shows the indicator -- (cold), and the indicator --- (no spin) and the indicator .
- **Activate the spin-only option (Skipping the wash and rinse phases):** Solo Centrifuga.



Before setting this option, select a suitable washing programme for the garments. The appliance will perform the most fitting spin cycle for your garments care (e.g. For synthetics items, first select the Sintetici washing programme and then the Solo Centrifuga option).


The appliance performs only the spinning phase of the selected washing programme.

The display shows the indicator -- (cold), the phase indicator  and the spin speed.

## 7.5 Macchie Plus/Prelavaggio

Press this button repeatedly to activate one of the two options.

The relevant indicator goes on in the display.

- **Macchie**  
Select this option to add an anti-stain phase to a programme in order to treat heavily soiled or stained laundry with stain remover.  
Pour the stain remover into compartment . The stain remover will be added in the appropriate phase of the washing programme.



This option is not available with a temperature lower than 40 °C.

- **Prelavaggio**  
Use this option to add a pre-wash phase at 30 °C before the washing phase. This option is recommended for heavily soiled laundry, especially if containing sand, dust, mud and other solid particles.



The options can increase the programme duration.



These two options cannot be set together.

## 7.6 Più Morbido

Set the Più Morbido option to ensure perfect distribution of the fabric softener and improves the fabric softness.




This option increases slightly the programme duration.

## 7.7 Partenza Ritardata

With this option you can delay the start of a programme in a more convenient time.

Touch the button repeatedly to set the required delay. The time increases by steps of 30 minutes up to 90' and from 2 hours up to 20 h.

After touching the Avvio/Pausa button, the display shows the indicator  and the selected delay time and the appliance begins the countdown.

## 7.8 Risciacquo

With this button you can select one of the following options:

- **Extra Risciacquo option**  
This option adds a few rinses according to the selected washing programme. Use this option for persons allergic to detergent residues and in areas where the water is soft.



This option increases slightly the programme duration.

- Skipping wash phase - Solo Risciacquo option

The appliance performs only the rinsing phase, the spinning and the draining phases of the selected programme.

The corresponding indicator above the touch button illuminates.

## 7.9 Risparmio Tempo

With this option you can decrease the programme duration.

- If your laundry is normally or lightly soiled, it may be advisable to shorten the washing programme. Touch this button **once** to decrease the duration.
- In case of smaller load, touch this button **twice** to set an extra quick programme.

The display shows the indicator

## 7.10 Hygiene

Set this option with white Cotoni items programme. When the option is selected, neither the temperature or the cycle time can

be changed. Option Risparmio Tempo and Extra silent <sup>dB</sup> are not available.

The corresponding indicator above the touch button illuminates.

This option, thanks to washing phase combined with steam vapour, removes more than 99,99% of bacteria and viruses keeping the temperature above 60°C throughout the washing phase; with an additional action on the fibers thanks to a vapour phase, an enhanced rinsing phase ensures a proper removal of detergent and micro-organism residues. This option ensures also a proper reduction of pollens/allergenic items.



Tested for Staphylococcus aureus, Enterococcus faecium, Candida albicans, Pseudomonas aeruginosa and MS2 Bacteriophage in external test performed by Swisstatest Testmaterialien AG in 2021 (Test Report No. 202120117).

## 7.11 Avvio/Pausa






Touch the Avvio/Pausa button to start, pause the appliance or interrupt a running programme.

# 8. PROGRAMMES

## 8.1 Programme Chart

### Washing programmes

Programme	Programme description
<b>Washing programmes</b>	
Eco 40-60	<b>White cotton and fast-coloured cotton.</b> Normally soiled items. The energy consumption decreases and the time of the washing programme is extended, ensuring good washing results.
Cotoni	<b>White cotton and coloured cotton.</b> Normally, heavily and lightly soiled items.
Sintetici	<b>Synthetic items or mixed fabric items.</b> Normally soiled items.
Delicati	<b>Delicate fabrics such as acrylics, viscose and mixed fabrics requiring gentler washing.</b> Normally and lightly soiled items.

Programme	Programme description
Lana/Seta 	<b>Machine washable wool, hand washable wool and other fabrics with «hand washing» care symbol<sup>1)</sup>.</b>
20 min. - 3 kg	<b>Cotton and synthetic items</b> lightly soiled or once worn.
Stiro Facile	<b>Synthetic items requiring a gentle wash.</b> Normally and lightly soiled items. <sup>2)</sup>
Piumini	Special programme for one <b>down jackets, synthetic blanket, duvet, bedspread</b> and so on.
Outdoor	<div style="border: 1px solid black; padding: 5px; margin-bottom: 10px;"> <p> Do not use fabric softener and make sure that there is no softener residue in the detergent dispenser.</p> </div> <p><b>Outdoor clothing, technical, sport fabrics, waterproof and breathable jackets, shell jackets with a removable fleece or inner insulation.</b> The recommended laundry load is 1.5 kg.</p> <p>This programme can also be used as water repellent restoring phase, specifically tailored for treating clothes with a hydrophobic coating. To perform the water repellent restoring phase, proceed as follows:</p> <ul style="list-style-type: none"> <li>• Pour the washing detergent in the compartment .</li> <li>• Pour a special water repellency restorer for fabric in the drawer compartment for fabric softener .</li> <li>• Reduce the laundry load to 1.0 kg.</li> </ul> <div style="border: 1px solid black; padding: 5px; margin-top: 10px;"> <p> To further improve the water repellent restoring action, dry the laundry in a tumble dryer by setting the Outdoor drying programme (if available and if the garment care label permits tumble drying).</p> </div>
Denim	<b>Denim clothing and jersey items.</b> Normal soiled. This programme performs a gentle rinsing phase, designed for denim, that reduces fading and does not cause washing powder residues on the fibres.


1) During this cycle the drum rotates slowly to ensure a gentle wash. It can seem that the drum doesn't rotate or doesn't rotate properly, but this is normal for this programme.

2) To reduce creasing, this cycle regulates the water temperature and performs a soft wash and spin phase. The appliance adds some rinses.

### Programme temperature, maximum spin speed and maximum load

Programme	Default temperature Temperature range	Reference spin speed Spin speed range	Maximum load
-----------	--	--	--------------

Washing programmes

Programme	Default temperature Temperature range	Reference spin speed Spin speed range	Maximum load
Eco 40-60	40 °C <sup>1)</sup>	1200 rpm 1200 rpm - 400 rpm	6.0 kg
Cotoni	40 °C 95 °C - Cold	1200 rpm 1200 rpm - 400 rpm	6.0 kg
Sintetici	40 °C 60 °C - Cold	1200 rpm 1200 rpm - 400 rpm	3.0 kg
Delicati	30 °C 40 °C - Cold	1200 rpm 1200 rpm - 400 rpm	1.0 kg
Lana/Seta 	40 °C 40 °C - Cold	1200 rpm 1200 rpm - 400 rpm	1.0 kg
20 min. - 3 kg	30 °C 40 °C - 30 °C	1200 rpm 1200 rpm - 400 rpm	3.0 kg
Stiro Facile	30 °C 60 °C - Cold	800 rpm 800 rpm - 400 rpm	3.0 kg
Piumini	40 °C 60 °C - Cold	800 rpm 800 rpm - 400 rpm	2.0 kg
Outdoor	30 °C 40 °C - Cold	1200 rpm 1200 rpm - 400 rpm	1.5 kg <sup>2)</sup> 1.0 kg <sup>3)</sup>
Denim	30 °C 40 °C - Cold	800 rpm 1200 rpm - 400 rpm	1.5 kg

<sup>1)</sup> According to Commission Regulation EU 2019/2023, this programme at 40 °C is able to clean normally soiled cotton laundry declared to be washable at 40 °C or 60 °C, together in the same cycle.






For the reached temperature in the laundry, the programme duration and other data, please refer to 'Consumption Values' chapter.  
The most efficient programmes in terms of energy consumption are generally those that perform at lower temperatures and longer duration.

<sup>2)</sup> Washing programme.

<sup>3)</sup> Washing programme and water repellent phase.

## Programme options compatibility

	Eco 40-60	Cotoni	Sintetici	Delicati	Lana/Seta 	20 min. - 3 kg	Stiro Facile	Piumini	Outdoor	Denim
Centrifuga	■	■	■	■	■	■	■	■	■	■
Rinse Hold 	■	■	■	■	■		■		■	■
Extra Silent 		■	■	■						■
Solo Scarico		■	■	■	■	■	■	■	■	■
Solo Centrifuga <sup>1)</sup>		■	■	■	■	■	■	■	■	■
Macchie <sup>2)</sup>		■	■				■			■
Prelavaggio		■	■				■			
Extra Risciacquo		■	■	■			■		■	■
Solo Risciacquo		■	■	■	■	■	■	■	■	■
Hygiene		■								
Risparmio Tempo <sup>3)</sup>		■	■	■			■			
Partenza Ritardata	■	■	■	■	■	■	■	■	■	■
Più Morbido		■	■	■			■			■


<sup>1)</sup> Before setting this option, select a suitable washing programme for the garments. The appliance will perform the most fitting spin cycle for your garments care (e.g. For synthetics items, first select the Sintetici washing programme and then the Solo Centrifuga option).

<sup>2)</sup> This option is not available with temperature lower than 40 °C.

<sup>3)</sup> If you set the shortest duration, we recommend that you decrease the load size. It is possible to fully load the appliance, however the washing results can be less satisfactory.

### Suitable detergents for washing programmes

Programme	Universal powder <sup>1)</sup>	Liquid Universal	Liquid for colours	Delicates woollens	Special
Eco 40-60	▲	▲	▲	--	--
Cotoni	▲	▲	▲	--	--
Sintetici	▲	▲	▲	--	--
Delicati	--	--	--	▲	▲

Programme	Universal powder <sup>1)</sup>	Liquid Universal	Liquid for coloureds	Delicates woollens	Special
 Lana/Seta	--	--	--	▲	▲
20 min. - 3 kg	--	▲	▲	--	--
Stiro Facile	▲	▲	▲	--	--
Piumini	--	--	--	▲	▲
Outdoor	--	--	--	▲	▲
Denim	--	--	▲	▲	▲

1) At temperature higher than 60 °C the use of powder detergent is recommended.

▲ = Recommended

-- = Not recommended

## 8.2 Woolmark Premium Wool Care - Blue



The wool wash cycle of this machine has been tested and approved by The Woolmark Company for the washing of wool garments labelled as «hand wash» provided that the products are washed according to the instructions on the garment label and those issued by the manufacturer of this washing machine.  
M1459

## 9. SETTINGS

### 9.1 Introduction




When pressing a key combination, **do not tilt** your fingers downwards. The sensors of the underneath buttons are sensitive and may interfere with Your choice.

### 9.2 Child Lock

With this option you can prevent that the children play with the control panel.

- To **activate/deactivate** this option, touch the Macchie Plus/Prelavaggio and the

Centrifuga buttons simultaneously until the indicator  comes on/goes off on the display.

You can activate this option:

- After you touch the Avvio/Pausa button: all the buttons and the programme dial are deactivated (except On/Off button).
- Before you touch the Avvio/Pausa button: the appliance cannot start.

The appliance keeps the selection of this option after you switch it off.

### 9.3 Acoustic signals

This appliance is provided with different acoustic signals, that operate when:

- You activate the appliance (special short tune).
- You deactivate the appliance (special short tune).
- You touch the buttons (click sound).
- You make a wrong selection (3 short sounds).
- The programme is completed (sequence of sounds for about 2 minutes).
- The appliance has a malfunction (sequence of short sounds for about 5 minutes).

To **deactivate/activate** the acoustic signals when the programme is completed, touch the Macchie Plus/Prelavaggio and the Hygiene buttons simultaneously for about 6 seconds.



If you deactivate the acoustic signals, they continue operate when the appliance has a malfunction.

### 9.4 Permanent Extra Rinse

With this option you can permanently have an extra rinse when you set a new programme.

- To **activate/deactivate** this option touch the Risciacquo button and the Macchie Plus/Prelavaggio button simultaneously until the indicator of the Extra Risciacquo button **comes on/goes off**.

### 9.5 Operating Hours Counter

It is possible to visualise the total operating time of the appliance in hours, starting from the first switching on. This value will count operating time of the cycles (does not include pauses, delayed start time). To visualise this value, proceed as follows:

1. Switch the appliance on by pressing On/Off button.
2. Turn the programme knob to the Eco 40-60 programme (1st position clockwise).

3. Press and hold the Macchie Plus/Prelavaggio and Hygiene buttons for some seconds (within 10 seconds after the switching on. After these 10 seconds, the key combination activates and deactivates the acoustic signals).
4. After 3 seconds the total hours operated by the appliance are shown in the display: e.g. 1276 hours, the display shows the text Hr for 2 seconds, 12 (thousands and hundreds) for 2 seconds and 76 (tens and units).



If the procedure does not work (due to timeout, wrong programme dial position or wrong keys combination), switch the appliance off and repeat sequence from the beginning.

### 9.6 Factory Reset

This function allows to restore the factory default options. To **activate** this option follow steps below:

1. Switch the appliance on by pressing On/Off button.
2. Turn the programme knob to the Sintetici programme (3rd position clockwise).
3. Press and hold the Macchie Plus/Prelavaggio and Hygiene buttons for some seconds (within 10 seconds after the switching on. After these 10 seconds, the key combination activates and deactivates the acoustic signals).
4. The display will show — — — for about 5 seconds.



If the procedure does not work (due to timeout, wrong programme dial position or wrong keys combination), switch the appliance off and repeat sequence from the beginning.

## 10. BEFORE FIRST USE

1. Make sure that the electrical power is available and the water tap is open.
2. Pour 2 litres of water into the detergent compartment marked as **2**.  
This action activates the drain system.
3. Pour a small quantity of detergent into the compartment marked as **2**.

4. Set and start a programme for cotton at the highest temperature without any laundry in the drum.

This removes all possible dirt from the drum and the tub.

## 11. DAILY USE

### **WARNING!**

Refer to Safety chapters.

### 11.1 Activating the appliance

1. Connect the mains plug to the mains socket.
2. Open the water tap.
3. Press the On/Off button for a few seconds to activate the appliance.

A short tune sounds. The appliance automatically proposes a default programme. The relevant indicator illuminates.

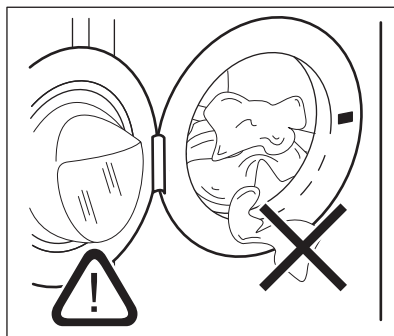
The display shows the default programme, Eco 40-60, cycle duration, the maximum load, the default temperature, the default spin speed and the indicators of the phases making up the programme.

### 11.2 Loading the laundry

- Open the appliance door.
- Shake the items before you put them in the appliance.
- Put the laundry in the drum, one item at a time.

Make sure not to put too much laundry in the drum.

- Close the door firmly.

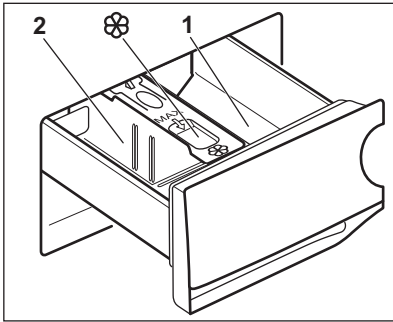


### **CAUTION!**

- Make sure that no laundry stays between the seal and the door. There is a risk of water leakage or damage to the laundry.
- Washing heavily oiled, greasy stains or using fragrances perfume could cause damage rubber parts of the appliance.

### 11.3 Using detergent and additives

1. Measure out the detergent and the fabric conditioner.
2. Put the detergent and the fabric conditioner into the compartments.
3. Carefully close the detergent drawer




**CAUTION!**

Use only specified detergents for washing machine.



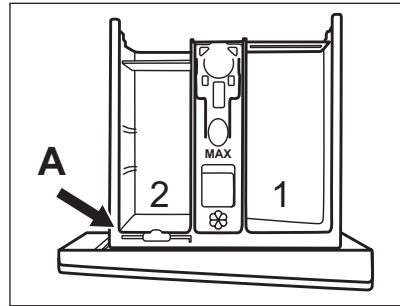
Always obey the instructions that you find on the packaging of the detergent products.

- |  |   |
|--|---|
| 1  | Detergent compartment for prewash phase or soak programme (if available). Add the detergent for prewash and soak before the start of the programme. |
| 2  | Detergent compartment for washing phase. If you use a liquid detergent, put it immediately before you start the programme.                          |
|  | Compartment for liquid additives (fabric conditioner, starch). Put the product in the compartment before you start the programme.                   |

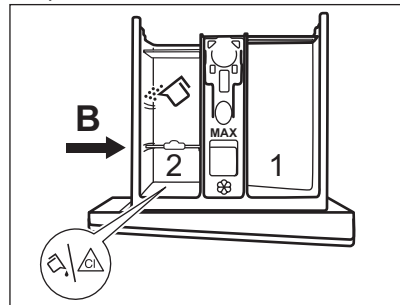
After a washing cycle, if necessary, remove any detergent residue from the detergent dispenser.

**11.4 Changing position of detergent divider**

1. Pull out the detergent dispenser. The position **A** of the detergent divider is for **powder detergent** (factory setting).

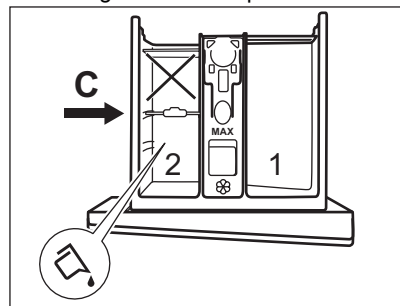


2. **To use also liquid detergent/additive or bleach:** Remove detergent divider from the position **A** and insert it in position **B**.



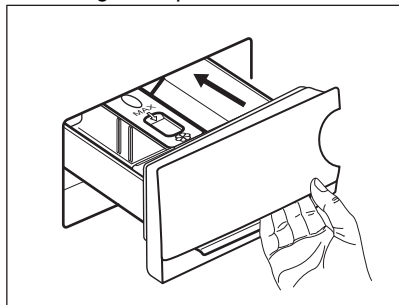
The position **B** of the detergent divider is for powder detergent in the rear compartment and for liquid detergent/additive or bleach in the front compartment.

3. **To use only liquid detergent:** Insert the detergent divider in position **C**.



- Do not use gelatinous or thick liquid detergents.
- Do not exceed the maximum dose of liquid detergent.
- Do not set the prewash phase.
- Do not set the delay start function.

4. Measure out the detergent and the fabric conditioner and carefully close the detergent dispenser.



Make sure that the detergent divider is inserted properly and does not cause a blockage when you close the drawer.

### 11.5 Setting a programme

1. Turn the programme dial to select the desired washing programme. The related programme indicator comes on.

The Eco 40-60 is the default proposed programme when the appliance is turned on, the one to which the information of the energy label relates.

The indicator of the Avvio/Pausa button flashes.

The display shows the maximum declared load for the programme, the default temperature, the default spin speed, the washing phase indicators (when available) and an indicative programme duration.

2. To change the temperature and/or the spin speed, touch the related buttons.
3. If desired, set one or more options by touching the related buttons. The related indicators come on in the display and the given information changes accordingly.



In case a selection is **not possible**, no indicator comes on and an acoustic signal sounds.

### 11.6 Starting a programme

Touch the Avvio/Pausa button to start the programme.

The related indicator stops flashing and stays on.

The programme starts, the door is locked.

The display shows the indicator



The drain pump can operate shortly before the appliance fills water.

### 11.7 Starting a programme with the delay start

1. Touch this repeatedly until the display shows the desired delay time. The indicator

2. Touch the Avvio/Pausa button.

The appliance starts the countdown of the delay start.

When the countdown is completed, the programme starts.



The ProSense estimation starts at the end of the countdown.

### Cancelling the delay start after the countdown has started

To cancel the delay start:

1. Touch the Avvio/Pausa button to pause the appliance. The related indicator flashes.
2. Touch the Partenza Ritardata
3. Touch the Avvio/Pausa button again to start the programme immediately.

### Changing the delay start after the countdown has started


To change the delay start:



1. Touch the Avvio/Pausa button to pause the appliance. The related indicator flashes.
2. Touch the Partenza Ritardata button repeatedly until the display shows the desired delay time.
3. Touch the Avvio/Pausa button again to start the new countdown.

## 11.8 The ProSense load detection



The programme duration in the display is referred to a **medium/high load**.

After touching the Avvio/Pausa button, the maximum declared load indicator goes off, the indicator  flashes, the ProSense starts the laundry load detection:

1. The appliance detects the load in the first 30 seconds: the indicator **kg** and the time dots  flash, the drum rotates shortly.
2. At the end of the load detection, the indicator **kg** goes off and the time dots  stop flashing. The programme duration will be adjusted accordingly and could increase or decrease. After further 30 seconds, the water filling starts.

At the end of the load detection, **in case of drum overload**, the indicator **MAX** is flashing in the display:

In this case, for 30 seconds, it is possible to pause the appliance and remove the exceeding garments.

Once removed the exceeding garments, touch the Avvio/Pausa button to start the programme again. The ProSense phase can be repeated up to three times (see point 1).

**Important!** If the laundry amount will not be reduced, the washing programme starts anyway, despite the overload. In this case, it will be not possible to guarantee the best washing results.



About 20 minutes after the programme start, the programme duration could be adjusted again depending on the capacity of water absorption of the fabrics.



The ProSense detection is carried out with complete washing programmes only (no skipping phase selected).


## 11.9 Programme phase indicators

When the programme starts the indicator of the running phase flashes and the other phase indicators are steady on.

E.g. the washing or pre wash phase is

running: 

When the phase ends the relevant indicator stops flashing and is steady on. The next phase indicator starts flashing.

E.g. the rinse phase is running: 

## 11.10 Interrupting a programme and changing the options

When the programme is running, you can change **only some** options:

1. Touch the Avvio/Pausa button. The related indicator flashes.
2. Change the options. The given information in the display changes accordingly.
3. Touch the Avvio/Pausa button again. The washing programme continues.

## 11.11 Cancelling a running programme

1. Press the On/Off button to cancel the programme and to deactivate the appliance.
2. Press the On/Off button again to activate the appliance.

Now, you can set a new washing programme.



If the ProSense phase is already carried out and the water filling is already started, the new programme starts **without repeating the ProSense phase**. The water and the detergent are not drained out in order to avoid waste. The display shows the maximum duration of the programme, updating it about 20 minutes after the starting of the new programme.

## 11.12 Opening the door - Adding garments

While a programme or the delay start operates, the appliance door is locked.



If the temperature and level of the water in the drum are too high and/or the drum still rotates you cannot open the door.


1. Touch the Avvio/Pausa button. In the display the related door lock indicator goes off.
2. Open the appliance door. If necessary, add or remove the items.
3. Close the door and touch the Avvio/Pausa button.

The programme or the delay start continues.


4. The door can be opened when the programme is complete, or set spinning or draining programme/option and then press Avvio/Pausa button.

## 11.13 End of the programme

When the programme has finished, the appliance stops automatically. The acoustic signals operate (if they are active).

In the display all washing phase indicators become steady and the time area shows .

The indicator of the Avvio/Pausa button goes off.

The door unlocks and the indicator  goes off.

1. Press the On/Off button to deactivate the appliance.

After five minutes from the end of the programme, the energy saving function automatically deactivates the appliance.








When you activate the appliance again, it proposes Eco 40-60 as default programme. Turn the programme dial to set a new cycle.



2. Remove the laundry from the appliance.
3. Make sure that the drum is empty.




4. Keep the door and the detergent dispenser slightly ajar to prevent mildew and odours.
5. Close the water tap.


## 11.14 Draining water out after end of cycle

If you have chosen a programme or an option that does not empty out the water of the last rinse, the programme is completed, but:

- The display shows the indicator , the option indicator  or  and the door locked indicator . The indicator of the running phase  flashes.
- The drum still turns at regular intervals to prevent the creases in the laundry.
- The door stays locked.
- You must drain the water to open the door:

1. If necessary, touch the Centrifuga button to decrease the spin speed proposed by the appliance.
2. Touch the Avvio/Pausa button:
  - If you have set , the appliance drains the water and spins.
  - If you have set , the appliance only drains the water.

The option indicator  or  goes off, while the indicator  flashes and then goes off.

3. When the programme is completed and the door locked indicator  goes off, you can open the door.
4. Press the On/Off button a few seconds to deactivate the appliance.



In any case, the appliance empties the water out automatically after approximately 18 hours.

## 11.15 Stand-by option

The Stand-by function automatically deactivates the appliance to decrease the energy consumption when:

- You do not use the appliance for 5 minutes before you touch the Avvio/Pausa button.

Press the On/Off button to activate the appliance again.

- After 5 minutes from the end of the washing programme. Press the On/Off button to activate the appliance again. The appliance proposes Eco 40-60 as default programme. Turn the programme dial to set a new cycle.



If you set a programme or an option that ends with water in the drum, the Stand-by function **doesn't deactivate** the appliance to remind you to drain the water.

## 12. HINTS AND TIPS

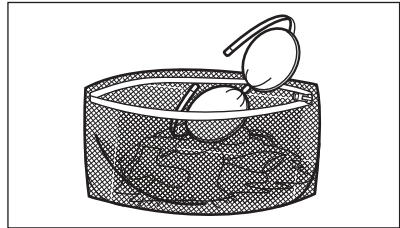
### **WARNING!**

Refer to Safety chapters.

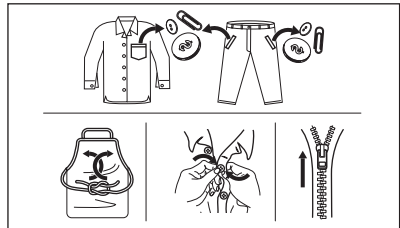
### 12.1 The laundry load

- Divide the laundry into: white, coloured, synthetics, delicates and wool.
- Follow the washing instructions on the laundry care labels.
- Do not wash white and coloured items together.
- Some coloured items can discolour with the first wash. We recommend that you wash them separately for the first couple of times.
- Turn multilayered fabrics, wool and items with printed illustrations inside out.
- Pre-treat stubborn stains.
- Wash stubborn stains with a special detergent.
- Be careful with curtains. Remove the hooks and put the curtains in a washing bag or pillowcase.
- A very small load can cause balance problems with the spin phase leading to excessive vibration. If this occurs:
  - a. interrupt the programme and open the door (refer to "Daily Use" chapter);
  - b. manually redistribute the load so that the items are spaced evenly around the tub;
  - c. press the Avvio/Pausa button. The spin phase continues.
- Button up pillowcases, close zippers, hooks and poppers. Tie up belts, cords, shoelaces, ribbons and any other loose elements.
- Do not wash laundry without hems or with cuts. Use a washing bag to wash small

and/or delicate items (e.g. underwired bras, belts, tights, shoelaces, ribbons, etc. ).



- Empty pockets and unfold the items.



### 12.2 Stubborn stains

For some stains, water and detergent is not sufficient.

We recommend that you pre-treat these stains before you put the items in the appliance.

Special stain removers are available. Use the special stain remover that is applicable to the type of stain and fabric.

### 12.3 Detergent type and quantity

The choice of detergent and use of correct quantities not only affects your wash

performance, but also helps to avoid waste and protect the environment:

- Use only detergents and other treatments specially made for washing machines. First, follow these generic rules:
  - powder detergents (also tablets and single-dose detergents) for all types of fabric, excluding delicate. Prefer powder detergents containing bleach for whites and laundry sanitization,
  - liquid detergents (also single-dose detergents), preferably for low temperature wash programmes (60 °C max) for all types of fabric, or special ones for woollens only.
- The choice and quantity of detergent will depend on: type of fabric (delicates, woollens, cottons, etc), the colour of clothes, size of the load, degree of soiling, wash temperature, time and hardness of the water used.
- Follow the instructions that you find on packaging of the detergents or other treatments without exceeding the indicated maximum level (**MAX**).
- Do not mix different types of detergents.
- Use less detergent if:
  - you are washing a small load,
  - the programme duration has been reduced by the Time Manager button.
  - the laundry is lightly soiled,
  - there is large amounts of foam during washing.
- When using detergent tabs or pods, always put them inside the drum, not in the detergent dispenser and follow the manufacturer's recommendations.

#### **Insufficient detergent may cause:**

- unsatisfactory washing results,
- the wash load to turn grey,
- greasy clothes,
- mould in the appliance.

#### **Excessive detergent may cause:**

- sudsing,
- reduced washing effect,
- inadequate rinsing,
- a greater impact for the environment.

### **12.4 Savings tips**

To save water, energy and detergent we recommend that you follow these tips:

- Loading the appliance to the **maximum capacity indicated for each programme helps to reduce energy and water consumption.**
- With adequate pre-treatment, stains and limited soiling can be removed; the laundry can then be washed at a lower temperature.
- To use the correct quantity of detergent, refer to the quantity suggested by the detergent producer and check the water hardness of your domestic system. Refer to 'Water hardness'.
- If you have a tumble dryer its suggested to use **maximum possible spin speed** for the selected washing programme in order to save energy during drying.
- Preferably, use short cycles at lower temperatures.

### **12.5 Water hardness**

If the water in your area is hard or medium hard, we recommend that you use a water softener additive for washing machines.

In areas where the water is soft it is not necessary to use a water softener.

To find out the water hardness in your area, contact your local water authority.

Use the correct quantity of water softener. Follow the instructions that you find on the packaging of the product.

## **13. CARE AND CLEANING**

### **WARNING!**

Refer to Safety chapters.

### **13.1 Periodic cleaning schedule**

**Periodic cleaning helps to extend the life of your appliance.**

After each cycle, keep the door and the detergent dispenser slightly open to get air

circulation and dry the humidity inside the appliance.

If the appliance is not used for a long time: close the water tap and unplug the appliance.

### Indicative periodic cleaning schedule:

Descaling	Twice a year
Maintenance wash	Once a month
Clean door seal	Every two months
Clean drum	Every two months
Clean detergent dispenser	Every two months
Clean the inlet hose and the valve filter	Twice a year

## 13.2 Removing foreign objects



Make sure that pockets are empty and all loose elements are tied up before running your cycle. Refer to "The laundry load" in "Hints and tips".

## 13.3 External cleaning

Clean the appliance with mild soap and warm water only. Fully dry all the surfaces.

Do not use a scouring pads or any scratching material.



### CAUTION!

Do not use alcohol, solvents or chemical products.



### CAUTION!

Do not clean the metal surfaces with chlorine-based detergent.

## 13.4 Descaling



If the water in your area is hard or medium hard, we recommend that you use a water softener for washing machines.

Regularly examine the drum to check for limescale.

The regular detergents already contain water softening agents, but we recommend to run a cycle with empty drum and a descaling product occasionally.



Always follow the instructions that you find on the packaging of the product.

## 13.5 Maintenance wash

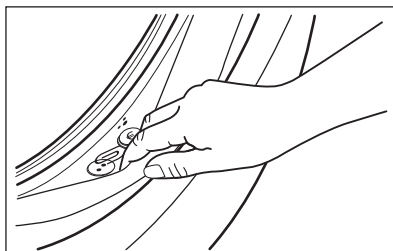
The repeated and prolonged use of low temperature programmes can cause detergent deposits, fluff residues, bacterial growth inside the drum and the tub. This could generate bad odours and mildew.

To eliminate these deposits and hygienize the inner part of the appliance, run a maintenance wash regularly (at least once a month):

1. Remove all laundry from the drum.
2. Run a cotton programme with the highest temperature with a small quantity of powder detergent or, if available, run the Pulizia programme.

## 13.6 Door seal

This appliance is designed with a **self cleaning draining system**, allowing light fluff fibers that fall off the clothes to be drained out with the water. Regularly examine the seal. Coins, buttons, other small items can be recovered at the end of the cycle.



Clean it when needed, using ammonia cream cleanser agent without scratching the seal surface.



Always obey the instructions that you find on the packaging of the product.

### 13.7 Cleaning the drum

Regularly examine the drum to prevent unwanted deposits.

Clean the drum with special products for stainless steel.



Always follow the instructions that you find on the packaging of the product. Do not clean the drum with acidic descaling products, scouring products containing chlorine or iron or steel.

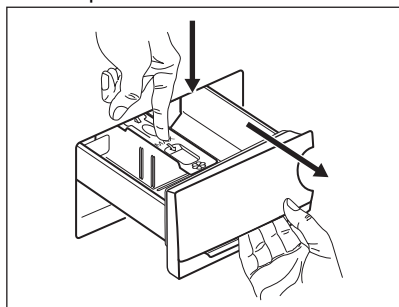
For a thorough clean:

1. Clean the drum with special products for stainless steel.
2. Run a short cotton programme at high temperature with empty drum and with a small quantity of powder detergent or, if available, run the Pulizia programme.

### 13.8 Cleaning the detergent dispenser

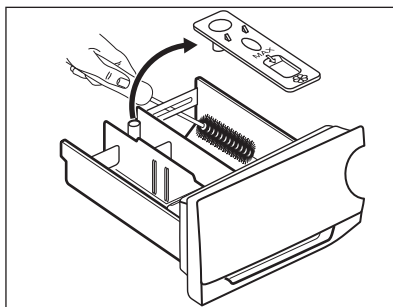
To prevent possible deposits of dried detergent or clotted fabric softener and/or formation of mould in the detergent dispenser drawer, every two months carry out the following cleaning procedure how explained in the following diagrams:

1. Open the drawer. Press the catch downwards as indicated in the picture and pull it out.

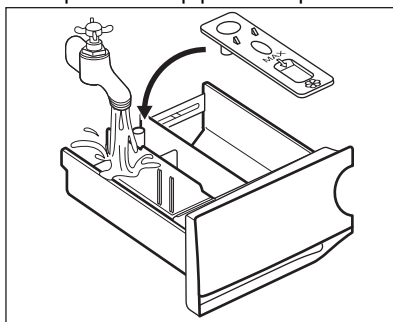


2. Remove the top part of the additive compartment to aid cleaning. Make sure

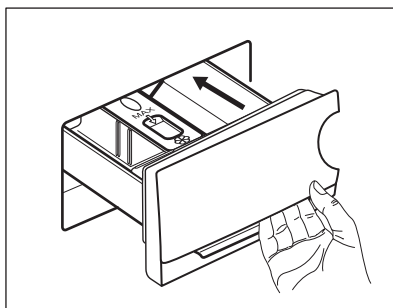
that all detergent residue is removed from the upper and lower part of the recess. Use a small brush to clean the recess.



3. Flush the detergent drawer out under running warm water to remove any traces of accumulated detergent. After cleaning, replace the top part in its position.



4. Insert the detergent drawer into the guide rails and close it. Run the rinsing programme without any clothes in the drum.



### 13.9 Cleaning the drain pump

Regularly check the drain pump filter and make sure that it is clean.

Clean the drain pump if:

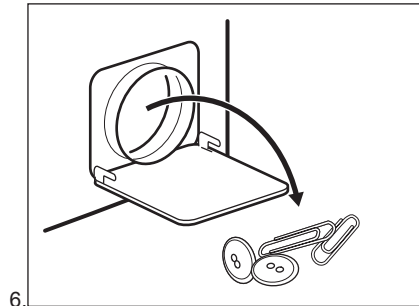
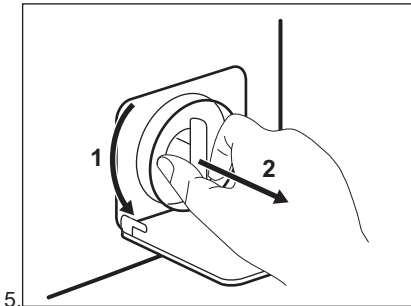
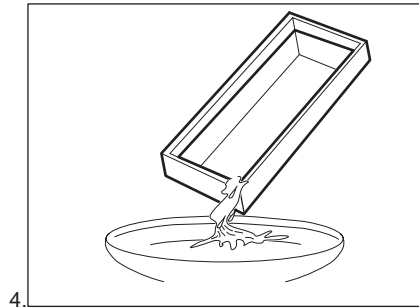
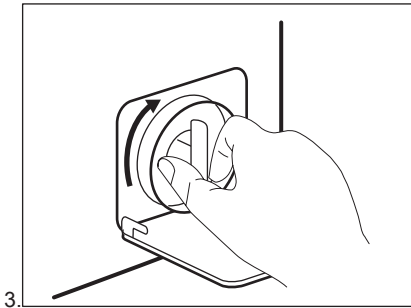
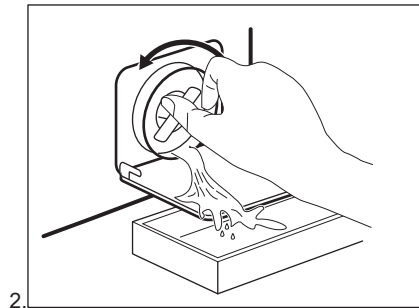
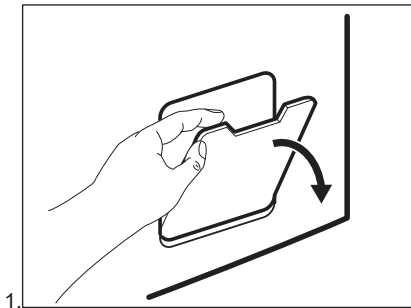
- The appliance does not drain the water.
- The drum does not turn.
- The appliance makes an unusual noise because of the blockage of the drain pump.
- The display shows the alarm code **E20**

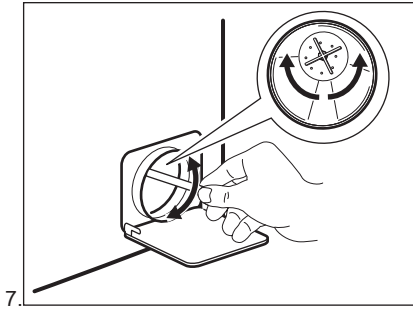
**⚠ WARNING!**

- Disconnect the mains plug from the mains socket.
- Do not remove the filter while the appliance operates.
- Do not clean the pump if the water in the appliance is hot. Wait until the water cools down .
- Repeat Step 3 several times by closing and opening the valve until the water stops flowing out.

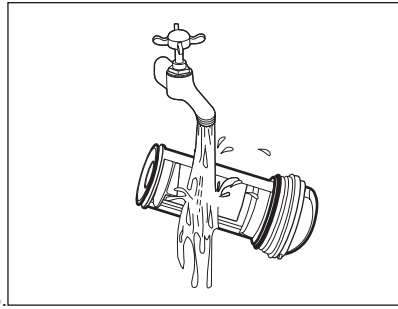
Always keep a rag nearby to dry up any water spillages when removing the filter.

**Proceed as follows to clean the pump:**

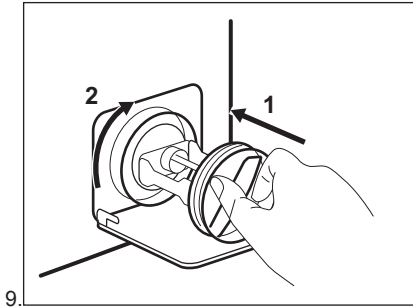




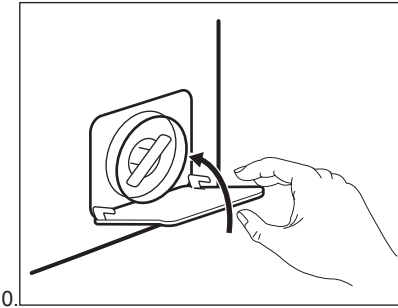
7.



8.



9.



10.

**⚠ WARNING!**

Make sure that the impeller of the pump can rotate. If it does not rotate, contact the Authorised Service Centre. Make sure also that you tighten the filter correctly to prevent leakages.

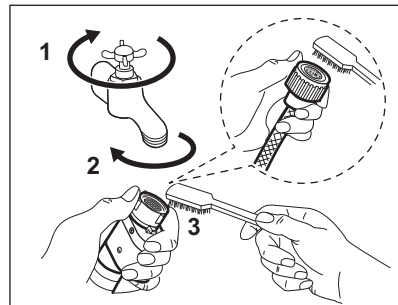
When you drain the water with the emergency drain procedure, you must activate the drain system again:

1. Put 2 litres of water in the main wash compartment of the detergent dispenser.
2. Start the programme to drain the water.

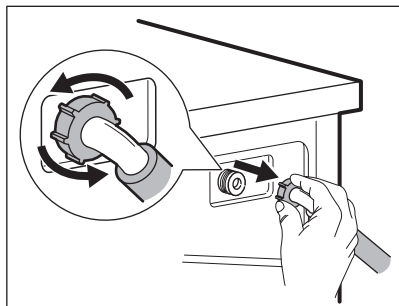
**13.10 Cleaning the inlet hose and the valve filter**

It is recommended to clean both the filters of the inlet hose and valve occasionally to remove any deposit, collected over the time:

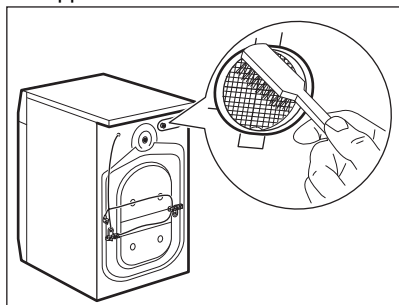
1. Remove the inlet hose from the tap and clean the filter.



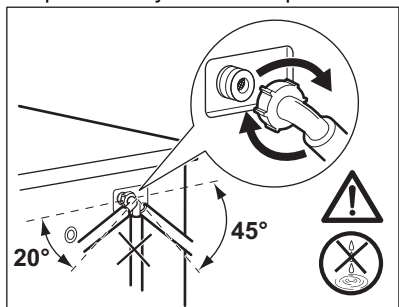
2. Remove the inlet hose from the appliance by loosening the ring nut.



3. Clean the valve filter on the back of the appliance with a toothbrush.



4. When you reconnect the hose to the back of the appliance, turn it left or right (not in vertical position) depending on the position of your water tap.



### 13.11 Emergency drain

If the appliance cannot drain the water, carry out the same procedure, described in 'Cleaning the drain pump' paragraph. If necessary, clean the pump.

When you drain the water with the emergency drain procedure, you must activate the drain system again:

1. Put 2 litres of water in the main wash compartment of the detergent dispenser.
2. Start the programme to drain the water.

### 13.12 Frost precautions

If the appliance is installed in an area where the temperature can reach the values around 0° C or drop below, remove the remaining water from the inlet hose and the drain pump.

1. Disconnect the mains plug from the mains socket.
2. Close the water tap.
3. Put the two ends of the inlet hose in a container and let the water flow out of the hose.
4. Empty the drain pump. Refer to the emergency drain procedure.
5. When the drain pump is empty, install the inlet hose again.

#### **WARNING!**

Make sure that the temperature is higher than 0 °C before you use the appliance again.  
The manufacturer is not responsible for damages caused by low temperatures.

## 14. TROUBLESHOOTING

#### **WARNING!**

Refer to Safety chapters.

## 14.1 Alarm Codes and Possible failures

The appliance does not start or it stops during operation. First try to find a solution to the problem (refer to the tables).

### **WARNING!**

Deactivate the appliance before carrying out any check.

**With some problems, the display shows an alarm code and the Avvio/  
Pausa button may flash continuously:**

Problem	Possible solution
<b>E 10</b> The appliance does not fill with water properly.	<ul style="list-style-type: none"><li>• Make sure that the water tap is open.</li><li>• Make sure that the pressure of the water supply is not too low. For this information, contact your local water authority.</li><li>• Make sure that the water tap is not clogged.</li><li>• Make sure that the inlet hose has no kinks, damages or bends.</li><li>• Make sure that the connection of the water inlet hose is correct.</li><li>• Make sure that the filter of the inlet hose and the filter of the valve are not clogged. Refer to 'Care and cleaning'.</li></ul>
<b>E20</b> The appliance does not drain the water.	<ul style="list-style-type: none"><li>• Make sure that the sink spigot is not clogged.</li><li>• Make sure that the drain hose has no kinks or bends.</li><li>• Make sure that the drain filter is not clogged. Clean the filter, if necessary. Refer to "Care and cleaning".</li><li>• Make sure that the connection of the drain hose is correct.</li><li>• Set the drain programme if you set a programme without drain phase.</li><li>• Set the drain programme if you set an option which ends with water in the tub.</li></ul>
<b>E40</b> The appliance door is open or not closed correctly.	<ul style="list-style-type: none"><li>• Make sure that the door is properly closed.</li></ul>
<b>E91</b> Internal fail. No communication between electronic elements of the appliance.	<ul style="list-style-type: none"><li>• The programme was not finished properly or the appliance stopped too early. Switch the appliance off and on again.</li><li>• If the alarm code appears again, contact the Authorised Service Centre.</li></ul>
<b>EKO</b> The mains supply is unstable.	<ul style="list-style-type: none"><li>• Wait until mains supply is stable.</li></ul>

If the display shows other alarm codes, deactivate and activate the appliance. If the problem continues, contact the Authorised Service Centre. In case of different problem with the washing machine check the table below for possible solutions.

Problem	Possible solution
The programme does not start.	<ul style="list-style-type: none"> <li>• Make sure that the mains plug is connected to the mains socket.</li> <li>• Make sure that the appliance door is closed.</li> <li>• Make sure that there is no damaged fuse in the fuse box.</li> <li>• Make sure that the Avvio/Pausa has been touched.</li> <li>• If the delay start is set, cancel the setting or wait for the end of countdown.</li> <li>• Deactivate the Child Lock function if it is on.</li> <li>• Check the position of the knob on the selected programme.</li> </ul>
The appliance fills with water and drains immediately.	<ul style="list-style-type: none"> <li>• Make sure that the drain hose is in the correct position. The hose may be positioned too low. Refer to "Installation instruction".</li> </ul>
The spin phase does not operate or the washing cycle lasts longer than usual.	<ul style="list-style-type: none"> <li>• Set the spin programme.</li> <li>• Make sure that the drain filter is not clogged. Clean the filter, if necessary. Refer to "Care and cleaning".</li> <li>• Adjust manually the items in the tub and start the spin phase again. This problem may be caused by balance problems.</li> </ul>
There is water on the floor.	<ul style="list-style-type: none"> <li>• Make sure that the couplings of the water hoses are tight and there is not water leakages.</li> <li>• Make sure that the water inlet hose and the drain hose have no damages.</li> <li>• Make sure you use the correct detergent and the correct quantity of it.</li> </ul>
You cannot open the appliance door.	<ul style="list-style-type: none"> <li>• Make sure that a washing programme that ends with water in tub, has not been selected.</li> <li>• Make sure that the washing programme is finished.</li> <li>• Set the drain or the spin programme if there is water in the drum.</li> <li>• Make sure that the appliance receives electrical power.</li> <li>• This problem may be caused by a failure of the appliance. Contact the Authorised Service Centre.</li> </ul>
The appliance makes an unusual noise and vibrates.	<ul style="list-style-type: none"> <li>• Make sure the levelling of the appliance is correct. Refer to "Installation instruction".</li> <li>• Make sure that the packaging and/or the transit bolts are removed. Refer to "Installation instruction".</li> <li>• Add more laundry in the drum. The load may be too small.</li> </ul>
The programme duration increases or decreases during programme execution.	<ul style="list-style-type: none"> <li>• The ProSense Technology is able to adjust the programme duration according to the type and the laundry load size. Refer to "The ProSense Technology load detection" in "Daily Use" chapter.</li> </ul>
The washing results are not satisfactory.	<ul style="list-style-type: none"> <li>• Increase the detergent quantity or use a different detergent.</li> <li>• Use special products to remove the stubborn stains before you wash the laundry.</li> <li>• Make sure that you set the correct temperature.</li> <li>• Decrease the laundry load.</li> </ul>
Too much foam in the drum during the washing cycle.	<ul style="list-style-type: none"> <li>• Reduce the quantity of detergent.</li> </ul>

After the check, activate the appliance. The programme continues from the point of interruption.

If the problem occurs again, contact the Authorised Service Centre.

The necessary data for the service centre are on the rating plate.

## 15. CONSUMPTION VALUES

### 15.1 Comment



The QR code on the energy label supplied with the appliance provides a web link to the information related to the performance of the appliance in the EU EPREL database. Keep the energy label for reference together with the user manual and all other documents provided with this appliance.

It is also possible to find the same information in EPREL using the link <https://eprel.ec.europa.eu> and the model name and product number that you find on the rating plate of the appliance.



Values and programme duration may differ depending on different conditions (e.g. room temperature, water temperature and pressure, load size and type of laundry, supply voltage) and also if you change the default setting of a programme.

### 15.2 According to Commission Regulation Eu 2019/2023

Eco 40-60 programme	kg	kWh	Litres	hh:mm	% 1)	°C	rpm <sup>2)</sup>
Full load	6.0	0.715	47.0	03:17	53.00	42.0	1151
Half load	3.0	0.400	36.0	02:35	53.00	31.0	1151
Quarter load	1.5	0.160	33.0	02:25	55.00	23.0	1151

1) Remaining moisture at the end of the spinning phase. The higher is the spin speed, the higher is the noise and the lower is the remaining moisture.

2) Maximum spin speed.

#### Power consumption in different modes

Off (W)	Stand-by (W)	Delay start (W)
0.50	0.50	4.00

Time to Off/Standby mode is 15 minutes maximum.

### 15.3 Common programmes



These values are indicative only.

Programme	kg	kWh	Litres	hh:mm	% 1)	°C	rpm <sup>2)</sup>
Cotoni <sup>3)</sup> 95°C	6.0	1.900	70.0	03:20	53.00	85.0	1200
Cotoni 60°C	6.0	1.100	65.0	03:20	53.00	55.0	1200
Cotoni <sup>4)</sup> 20°C	6.0	0.200	65.0	02:20	53.00	20.0	1200
Sintetici 40°C	3.0	0.600	65.0	02:15	35.00	40.0	1200
Delicati <sup>5)</sup> 30°C	1.0	0.300	40.0	01:00	35.00	30.0	1200
Lana/Seta 30°C	1.0	0.200	40.0	01:05	30.00	30.0	1200

1) Remaining moisture at the end of the spinning phase. The higher is the spin speed, the higher is the noise and the lower is the remaining moisture.

2) Reference indicator of the spin speed.

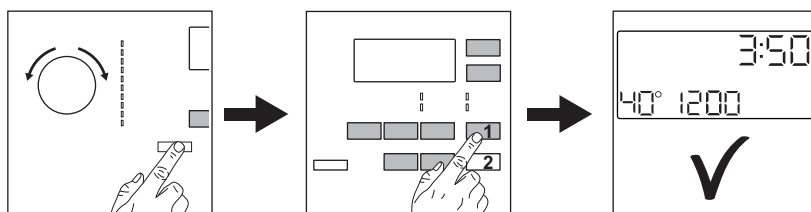
3) Suitable for washing heavily soiled textiles.

4) Suitable for washing lightly soiled cottons, synthetic and mixed fabrics.

5) It also performs as quick washing cycle for lightly soiled laundry.

## 16. QUICK GUIDE

### 16.1 Daily use



Connect the mains plug to the mains socket.

Open the water tap.

Load the laundry.

Pour the detergent and other treatment in the proper compartment of the detergent dispenser.

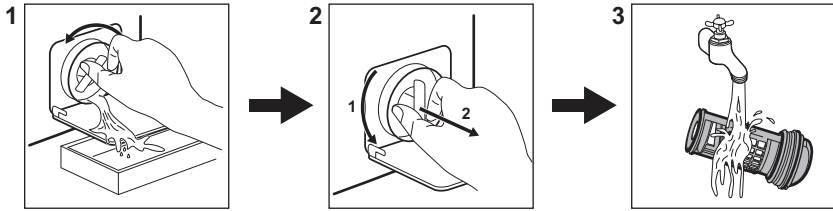
1. Push the On/Off button to turn on the appliance. Turn the programme dial to set the desired programme.

2. Set the desired options by means of the corresponding touch buttons.

3. To start the programme, touch the **Avvio/Pausa** button.


At the end of the programme, remove the laundry.

## 16.2 Cleaning the drain pump filter



Clean the filter regularly and, especially, if the alarm code **E20** appears on the display.

## 16.3 Programmes

Programmes	Load	Product description
<b>Eco 40-60</b> 1)	6.0 kg	White and coloured cottons. Normally soiled garments.
<b>Cotoni</b>	6.0 kg	White cotton and coloured cotton.
<b>Sintetici</b>	3.0 kg	Synthetic items or mixed fabric items.
<b>Delicati</b>	1.0 kg	Delicate fabrics such as acrylics, viscose, polyester items.
<b>Lana/Seta</b> 	1.0 kg	Machine washable wool, hand washable wool and delicates.
<b>20 min. - 3 kg</b>	3.0 kg	Cotton and synthetic lightly soiled items or once worn items.
<b>Stiro Facile</b>	3.0 kg	Synthetic items requiring a gentle wash.
<b>Piumini</b>	2.0 kg	Single synthetic blanket, padded clothes, duvets, down jackets.
<b>Outdoor</b>	1.5 kg <sup>2)</sup> 1.0 kg <sup>3)</sup>	Modern outdoor sporting garments.
<b>Denim</b>	1.5 kg	Denim clothing and jersey items.

1) According to Commission Regulation EU 2019/2023, this programme at 40 °C is able to clean normally soiled cotton laundry declared to be washable at 40 °C or 60 °C, together in the same cycle.



For the reached temperature in the laundry, the programme duration and other data, please refer to 'Consumption Values' chapter.  
The most efficient programmes in terms of energy consumption are generally those that perform at lower temperatures and longer duration.


2) Washing programme.

3) Washing programme and water repellent phase.

Loading the appliance to the maximum capacity indicated for each programmes

helps to reduce energy and water consumption.

### Suitable detergents for washing programmes

Programme	Universal powder <sup>1)</sup>	Liquid Universal	Liquid for coloureds	Delicates woollens	Special
Eco 40-60	▲	▲	▲	--	--
Cotoni	▲	▲	▲	--	--
Sintetici	▲	▲	▲	--	--
Delicati	--	--	--	▲	▲
 Lana/Seta	--	--	--	▲	▲
20 min. - 3 kg	--	▲	▲	--	--
Stiro Facile	▲	▲	▲	--	--
Piumini	--	--	--	▲	▲
Outdoor	--	--	--	▲	▲
Denim	--	--	▲	▲	▲

<sup>1)</sup> At temperature higher than 60 °C the use of powder detergent is recommended.

▲ = Recommended

-- = Not recommended

## 16.4 Detergent type and quantity.

- Use only detergents and other treatments specially made for washing machines.

First, follow these generic rules:

- powder detergents (also tablets and single-dose detergents) for all types of fabric, excluding delicate. Prefer powder detergents containing bleach for whites and laundry sanitization,
- liquid detergents (also single-dose detergents), preferably for low temperature wash programmes (60 °C max) for all types of fabric, or special ones for woollens only.
- Do not mix different types of detergents.
- Use less detergent if:
  - you are washing a small load,
  - the laundry is lightly soiled,
  - there is large amounts of foam during washing.
- When using detergent tabs or pods, always put them inside the drum, not in

the detergent dispenser and follow the manufacturer's recommendations.

### Insufficient detergent may cause:

- unsatisfactory washing results,
- the wash load to turn grey,
- greasy clothes,
- mould in the appliance.

### Excessive detergent may cause:

- sudsing,
- reduced washing effect,
- inadequate rinsing,
- a greater impact for the environment.

## 16.5 Periodic cleaning schedule

### Periodic cleaning helps to extend the life of your appliance.

After each cycle, keep the door and the detergent dispenser slightly open to get air circulation and dry the humidity inside the appliance.

If the appliance is not used for a long time: close the water tap and unplug the appliance.

### Indicative periodic cleaning schedule:

Descaling	Twice a year
Maintenance wash	Once a month
Clean door seal	Every two months
Clean drum	Every two months
Clean detergent dispenser	Every two months
Clean the inlet hose and the valve filter	Twice a year

Regularly examine the drum to check for limescale. We recommend to run a cycle with empty drum and a descaling product occasionally.

### Removing foreign objects

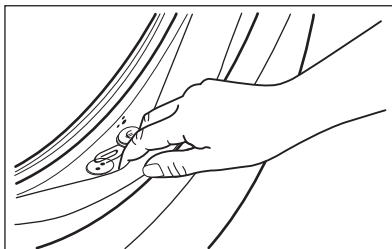


Make sure that pockets are empty and all loose elements are tied up before running your cycle.

### Door seal

This appliance is designed with a **self cleaning draining system**, allowing light fluff


fibers that fall off the clothes to be drained out with the water. Regularly examine the seal and if necessary clean as described in the following diagram. Coins, buttons, other small items can be recovered at the end of the cycle.




Clean it when needed, using ammonia cream cleanser agent without scratching the seal surface.

If it is necessary, remove fluff and objects from the filter recess.

## 17. ENVIRONMENTAL CONCERNS

Recycle materials with the symbol . Put the packaging in relevant containers to recycle it. Help protect the environment and human health by recycling waste of electrical and electronic appliances. Do not dispose of

appliances marked with the symbol  with the household waste. Return the product to your local recycling facility or contact your municipal office.

## Benvenuto in AEG! Grazie per aver scelto di acquistare questo prodotto.



Nel nostro intento di essere sostenibili stiamo riducendo le risorse cartacee e forniamo manuali d'uso completi online. È possibile accedere al manuale d'uso completo all'indirizzo [aeg.com/manuals](http://aeg.com/manuals)



Ricevi consigli per l'uso, scarica i nostri opuscoli, elimina eventuali anomalie, ottieni informazioni sull'assistenza tecnica e la riparazione su [aeg.com/support](http://aeg.com/support)



Acquista accessori, materiali di consumo e ricambi originali per la tua apparecchiatura su [aeg.com/shop](http://aeg.com/shop)

Con riserva di modifiche.

## INDICE

1. INFORMAZIONI DI SICUREZZA.....	41
2. ISTRUZIONI DI SICUREZZA.....	43
3. DESCRIZIONE DEL PRODOTTO.....	45
4. DATI TECNICI.....	46
5. INSTALLAZIONE.....	47
6. PANNELLO DEI COMANDI.....	51
7. SELETTORE E TASTI.....	53
8. PROGRAMMI.....	55
9. IMPOSTAZIONI.....	59
10. PRIMA DI UTILIZZARE L'ELETTRODOMESTICO.....	61
11. UTILIZZO QUOTIDIANO.....	61
12. CONSIGLI E SUGGERIMENTI UTILI.....	66
13. PULIZIA E CURA.....	68
14. RISOLUZIONE DEI PROBLEMI.....	73
15. VALORI DI CONSUMO.....	76
16. GUIDA RAPIDA.....	77
17. CONSIDERAZIONI SULL'AMBIENTE.....	80

## 1. ⚠ INFORMAZIONI DI SICUREZZA



Leggere attentamente le istruzioni fornite prima di installare e utilizzare questa apparecchiatura.

I produttori non sono responsabili di eventuali lesioni o danni derivanti da un'installazione o un uso scorretti. Conservare sempre le istruzioni in un luogo sicuro e accessibile per poterle consultare in futuro.

## **1.1 Sicurezza dei bambini e delle persone vulnerabili**

- Quest'apparecchiatura può essere usata da bambini a partire da 8 anni di età e da adulti con capacità fisiche, sensoriali o mentali limitate o con scarsa esperienza e conoscenza sull'uso dell'apparecchiatura, solamente se sorvegliati o se istruiti relativamente all'utilizzo in sicurezza dell'apparecchiatura e se hanno compreso i rischi coinvolti.
- I bambini tra i 3 e gli 8 anni e le persone con disabilità diffuse e complesse vanno tenuti lontani dall'apparecchiatura, a meno che non vi sia una supervisione continua.
- Tenere i bambini al di sotto dei 3 anni lontani dall'apparecchiatura, a meno che non vi sia una supervisione continua.
- Controllare che i bambini non giochino con l'apparecchiatura.
- Tenere gli imballaggi lontano dai bambini e smaltirli in modo adeguato.
- Tenere i detersivi lontani dalla portata dei bambini.
- Tenere i bambini e gli animali domestici lontani dall'apparecchiatura quando la porta è aperta.
- Se l'elettrodomestico ha un dispositivo di sicurezza per i bambini sarà opportuno attivarlo.
- I bambini non devono eseguire interventi di pulizia e manutenzione sull'elettrodomestico senza essere supervisionati.

## **1.2 Avvertenze di sicurezza generali**

- Quest'apparecchiatura è destinata esclusivamente al lavaggio domestico in lavatrice.
- Quest'apparecchiatura è progettata per un uso domestico singolo in un ambiente interno.
- Quest'apparecchiatura può essere utilizzata in uffici, camere d'albergo, camere di bed & breakfast, alloggi in agriturismi e altre sistemazioni simili in cui tale utilizzo non superi i livelli di utilizzo domestico (medi).

- Non modificare le specifiche tecniche dell'apparecchiatura.
- Il carico massimo dell'apparecchiatura è 6.0 kg. Non superare il carico massimo di ciascun programma (fare riferimento al capitolo "Programmi").
- La pressione di funzionamento dell'acqua nel punto di ingresso dal collegamento esterno deve essere compresa fra 0,5 bar (0,05 MPa) e 10 bar (1,0 MPa).
- Le aperture di ventilazione alla base non devono essere coperte da un tappeto, da una moquette o da eventuali rivestimenti per pavimenti.
- L'apparecchiatura deve essere collegata alla presa dell'acqua servendosi dei set di tubi nuovi forniti in dotazione o altri set di tubi nuovi forniti dal Centro Assistenza Autorizzato.
- I vecchi tubi non devono essere riutilizzati.
- Se il cavo di alimentazione è danneggiato, deve essere sostituito dal produttore, da un centro di assistenza tecnica autorizzato o da una persona qualificata per evitare situazioni di pericolo elettrico.
- Prima di eseguire qualunque intervento di manutenzione, spegnere l'apparecchiatura ed estrarre la spina dalla presa dell'alimentazione di rete.
- Non usare getti d'acqua ad alta pressione e/o vapore per pulire l'apparecchiatura.
- Pulire l'apparecchiatura con un panno inumidito. Utilizzare solo detersivi neutri. Non usare prodotti abrasivi, spugnette abrasive, solventi od oggetti metallici.

## 2. ISTRUZIONI DI SICUREZZA

### 2.1 Installazione



L'installazione deve essere conforme alle normative nazionali pertinenti.

- Togliere i bulloni dell'imballaggio e di trasporto, comprese le boccole in gomma col distanziatore di plastica.
- Tenere i bulloni di transito in un luogo sicuro. Se l'apparecchiatura va spostata in futuro dovranno essere nuovamente fissati per evitare che il cesto causi danni interni.
- Prestare sempre attenzione in fase di spostamento dell'apparecchiatura, dato che è pesante. Usare sempre i guanti di sicurezza e le calzature adeguate.
- Attenersi alle istruzioni fornite insieme all'apparecchiatura.

- Non installare o utilizzare l'apparecchiatura se è danneggiata.
- Non installare o utilizzare l'apparecchiatura in ambienti in cui la temperatura è al di sotto di 0°C o all'aperto.
- L'area di pavimento dove sarà installata l'apparecchiatura deve essere piana, stabile, resistente al calore e pulita.
- Accertarsi che l'aria circoli liberamente tra l'apparecchiatura e il pavimento.
- Una volta posizionata l'apparecchiatura, verificare che sia in piano utilizzando una livella. Se l'apparecchiatura non è in piano, regolare i piedini di conseguenza.
- Non installare l'apparecchiatura direttamente sullo scarico a pavimento.
- Non spruzzare acqua sull'apparecchiatura e non esporla a eccessiva umidità.
- Non installare l'apparecchiatura in condizioni in cui non è possibile aprire completamente la porta dell'apparecchiatura stessa.
- Non collocare un contenitore chiuso sotto l'apparecchiatura per raccogliere possibili perdite. Contattare il Centro di Assistenza autorizzato per sapere quali accessori si possono utilizzare.

## 2.2 Collegamento elettrico

### AVVERTENZA!

Rischio di incendio e scossa elettrica.

- AVVERTENZA: Questa apparecchiatura è progettata per essere installata/collegata a un collegamento di messa a terra dell'edificio.
- Utilizzare sempre una presa elettrica con contatto di protezione correttamente installata.
- Verificare che i parametri sulla targhetta siano compatibili con le indicazioni elettriche dell'alimentazione.
- Non utilizzare prese multiple e prolunghe.
- Accertarsi di non danneggiare la spina e il cavo. Qualora il cavo elettrico debba essere sostituito, l'intervento dovrà essere effettuato dal nostro Centro di Assistenza autorizzato.
- Inserire la spina di alimentazione nella presa solo al termine dell'installazione.

Verificare che la spina di alimentazione rimanga accessibile dopo l'installazione.

- Non toccare il cavo di alimentazione o la spina di alimentazione con la mani bagnate.
- Non tirare il cavo di alimentazione per scollegare l'apparecchiatura. Tirare sempre dalla spina.

## 2.3 Collegamento dell'acqua

- L'acqua in ingresso non deve avere una temperatura superiore ai 25 °C.
- Non danneggiare i tubi dell'acqua.
- Prima di eseguire il collegamento a tubi nuovi, tubi non usati a lungo, dove sono stati eseguiti interventi di riparazione o sono stati inseriti dispositivi nuovi (misuratori dell'acqua, ecc.), lasciar scorrere l'acqua fino a che non sarà trasparente e limpida.
- Verificare che non vi siano perdite visibili durante e dopo il primo uso dell'apparecchiatura.
- Non usare una prolunga se i tubi di carico dell'acqua sono troppo corti. Contattare il Centro di Assistenza autorizzato per sostituire il tubo di carico dell'acqua.
- In fase di disimballaggio dell'apparecchiatura si può vedere dell'acqua fuoriuscire dal tubo di scarico. Questa condizione è imputabile alle prove con acqua eseguite sulle apparecchiature in fabbrica.
- È possibile prolungare il tubo di scarico fino a un massimo di 400 cm. Contattare il Centro di Assistenza autorizzato per l'altro tubo di scarico e la prolunga.
- Verificare che il rubinetto rimanga accessibile dopo l'installazione.

## 2.4 Utilizzo

### AVVERTENZA!

Vi è il rischio di lesioni, scosse elettriche, incendi, ustioni o danni all'apparecchiatura.

- Attenersi alle istruzioni di sicurezza riportate sulla confezione del detersivo.
- Non appoggiare o tenere liquidi o materiali infiammabili, né oggetti facilmente infiammabili sull'apparecchiatura, al suo interno o nelle immediate vicinanze.

- Non lavare i tessuti molto sporchi di olio, grasso o altre sostanze oleose. Può danneggiare le parti in gomma dell'apparecchiatura. Pre-lavare questi tessuti prima di metterli nell'apparecchiatura.
- Non utilizzare profumi per bucato per evitare il rischio di danneggiare parti in plastica e gomma dell'apparecchiatura.
- Non toccare il vetro dell'oblò quando è in corso un programma. Il vetro può surriscaldarsi.
- Verificare che tutti gli oggetti metallici vengano tolti dal bucato.

## 2.5 Assistenza

- Per far riparare l'apparecchiatura, rivolgersi a un Centro di Assistenza Autorizzato. Utilizzare solo ricambi originali.
- Tenere presente che la riparazione autonoma o non professionale possono avere conseguenze sulla sicurezza e potrebbero invalidare la garanzia.
- I pezzi di ricambio seguenti sono disponibili per almeno 10 anni dopo l'interruzione della produzione del modello: motore e spazzole del motore, trasmissione tra motore e tamburo, pompe, ammortizzatori e molle, tamburo di lavaggio, albero del tamburo e relativi cuscinetti a sfera, riscaldatori ed elementi riscaldanti, compresse pompe di calore, tubazioni e relative attrezzature, compresi tubi flessibili, valvole, filtri e acquastop, circuiti stampati, display elettronici, pressostati, termostati e sensori, software e firmware compreso il software di reset, porta, cerniera della porta e guarnizioni,

altre guarnizioni, gruppo di chiusura della porta, periferiche in plastica come i distributori di detersivi. La durata potrebbe essere più lunga nel tuo Paese. Per ulteriori informazioni visita il nostro sito web.

- Si prega di notare che alcuni di questi pezzi di ricambio sono disponibili solo per i riparatori professionisti e che non tutti i pezzi di ricambio sono rilevanti per tutti i modelli.
- Per quanto riguarda la lampada o le lampade all'interno di questo prodotto e le lampade di ricambio vendute separatamente: Queste lampade sono destinate a resistere a condizioni fisiche estreme negli elettrodomestici, come temperatura, vibrazioni, umidità, o sono destinate a segnalare informazioni sullo stato operativo dell'apparecchio. Non sono destinate ad essere utilizzate in altre applicazioni e non sono adatte per l'illuminazione di ambienti domestici.

## 2.6 Smaltimento

### AVVERTENZA!

Rischio di lesioni o soffocamento.

- Staccare la spina dall'alimentazione elettrica e idrica.
- Tagliare il cavo elettrico in prossimità dell'apparecchiatura e gettarlo.
- Togliere il blocco porta per evitare che bambini o animali restino intrappolati nel cestello.
- Smaltire l'apparecchiatura in conformità coi requisiti locali per lo smaltimento di componenti elettrici ed elettronici (WEEE).

## 3. DESCRIZIONE DEL PRODOTTO

### 3.1 Funzioni speciali

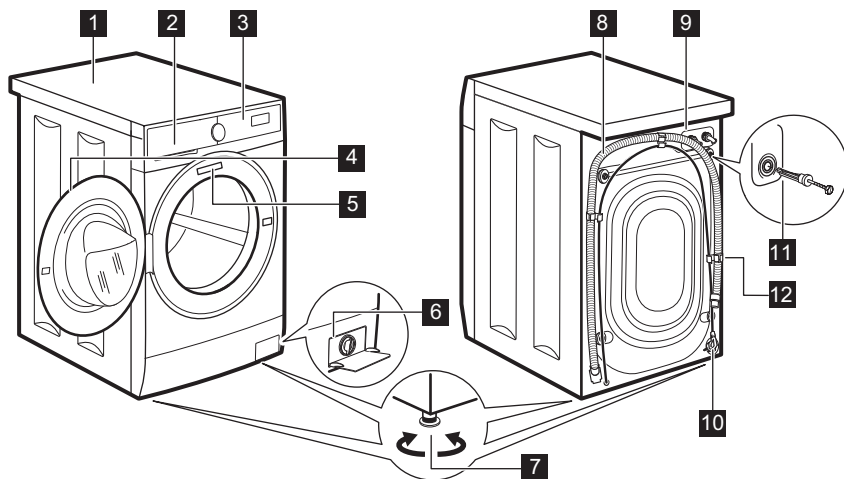
La nuova lavatrice soddisfa tutti i moderni requisiti per un trattamento efficace del bucato con un consumo ridotto a livello di acqua, energia e detersivo e che rispetta i tessuti.

- La tecnologia **ProSense** rileva il quantitativo di bucato definendo la durata del programma in 30 secondi. Il

programma di lavaggio è calibrato sul carico di bucato e sul tipo di tessuto, senza consumare più tempo, energia e acqua del necessario.

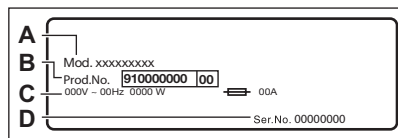
- Grazie **Più Morbido all'opzione**, l'ammorbidente viene diffuso in modo uniforme nel bucato e penetra in profondità le fibre del tessuto favorendo una morbidezza ottimale.

## 3.2 Panoramica dell'apparecchiatura



- 1** Piano di lavoro
- 2** Erogatore del detersivo
- 3** Pannello comandi
- 4** Maniglia dell'oblò
- 5** Targhetta dei dati
- 6** Filtro della pompa di scarico
- 7** Per mettere in piano l'elettrodomestico

- 8** Tubo flessibile di scarico
- 9** Collegamento tubo di carico
- 10** Cavo di alimentazione
- 11** Bulloni per il trasporto
- 12** Supporto tubo



La targhetta identificativa riporta il nome del modello (A), il numero di prodotto (B), le classificazioni elettriche (C) e il numero di serie (D).

## 4. DATI TECNICI

Dimensioni	Larghezza/Altezza/Profondità totale	59.5 cm / 84.3 cm / 41.6 cm
Collegamento elettrico	Tensione Potenza complessiva Fusibile Frequenza	230 V 1900 W 10 A 50 Hz

Livello di protezione dall'ingresso di particelle solide e umidità assicurato dal coperchio protettivo, tranne dove l'apparecchiatura a bassa tensione non ha una protezione contro l'umidità IPX4

Pressione di alimentazione dell'acqua	Minimo Massimo	0,5 bar (0,05 MPa) 10 bar (1,0 MPa)
Alimentazione dell'acqua <sup>1)</sup>		Acqua fredda
Carico massimo	Cotone	6.0 kg

1) Collegare il tubo di carico dell'acqua a un rubinetto con 3/4" filettatura.

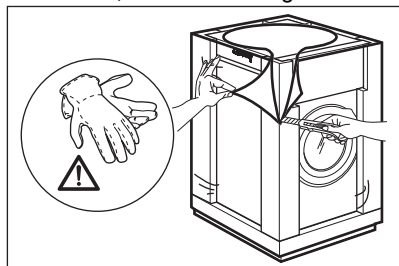
## 5. INSTALLAZIONE

### ⚠ AVVERTENZA!

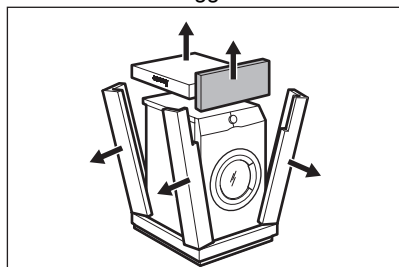
Fare riferimento ai capitoli sulla sicurezza.

### 5.1 Disimballaggio

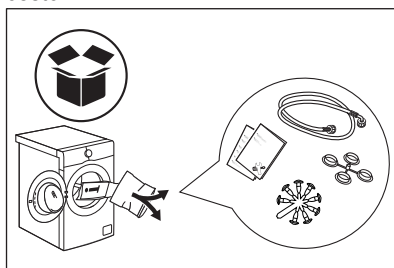
1. Rimuovere la pellicola esterna. Se necessario, servirsi di un taglierino.



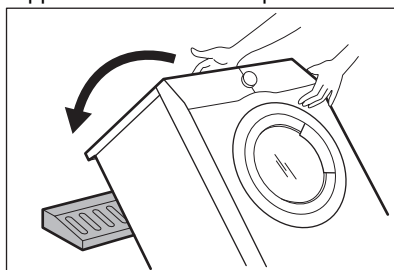
2. Togliere la parte superiore del cartone e i materiali di imballaggio.



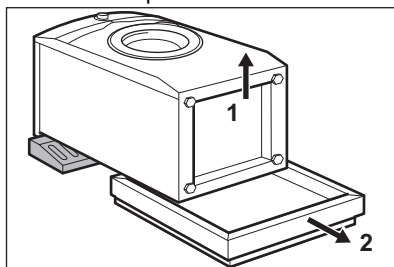
3. Aprire la porta. Togliere tutti gli oggetti dal cesto.



4. Posizionare l'elemento angolare sul pavimento dietro l'apparecchiatura. Appoggiare delicatamente l'apparecchiatura sul lato posteriore.

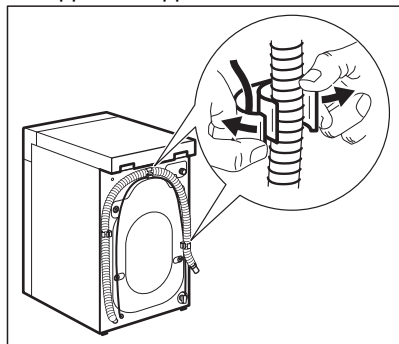


5. Rimuovere la protezione dal fondo.



6. Rimettere l'apparecchiatura in posizione verticale. Staccare il cavo di

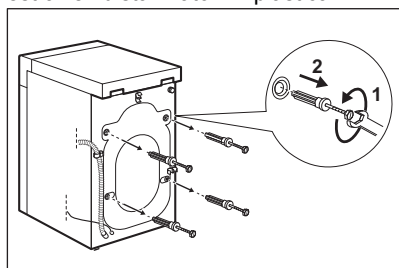
alimentazione e il tubo di scarico dall'apposito supporto.



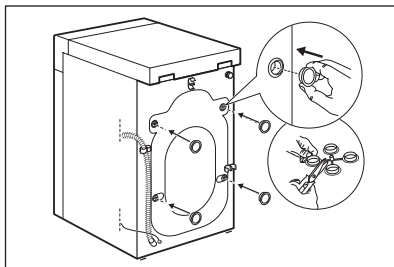
**⚠ AVVERTENZA!**

Si può vedere dell'acqua fuoriuscire dal tubo di scarico. Ciò avviene in quanto la lavatrice è stata testata in fabbrica.

7. Rimuovere i quattro bulloni di trasporto ed estrarre i distanziatori in plastica.



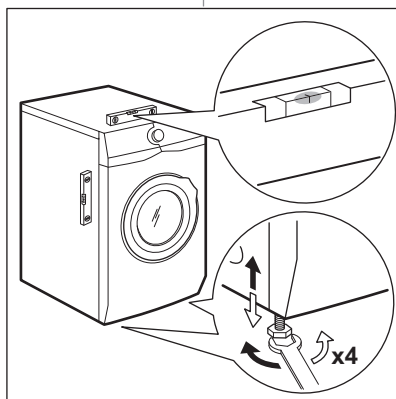
8. Mettere nei fori i cappucci in plastica contenuti nel sacchetto del manuale.



**Consigliamo di conservare l'imballaggio e i bulloni per il trasporto per quando si trasporta l'apparecchiatura.**

### 5.2 Posizionamento e livellamento

Regolare l'apparecchiatura in modo adeguato per evitare le vibrazioni, il rumore e il movimento dell'apparecchiatura stessa mentre è in funzione.



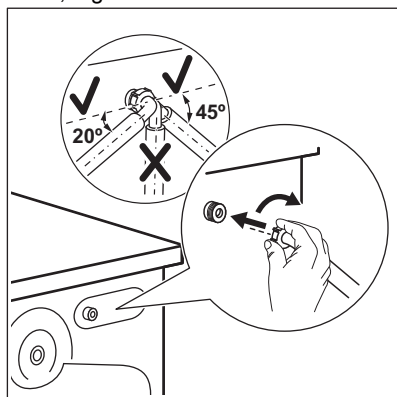
1. Installare l'apparecchiatura su un pavimento piano e solido. L'apparecchiatura deve essere in piano ed appoggiata in modo stabile. Verificare che l'apparecchiatura non sia a contatto con la parete o con altre unità e che vi sia ricircolo d'aria sotto all'apparecchiatura stessa.
2. Allentare o stringere i piedini per regolare il livello. Tutti i piedini devono saldamente essere appoggiati a terra.

**⚠ AVVERTENZA!**

Non mettere cartone, legno o materiali equivalenti sotto i piedini dell'apparecchiatura per regolarne il livello.

### 5.3 Tubo di carico

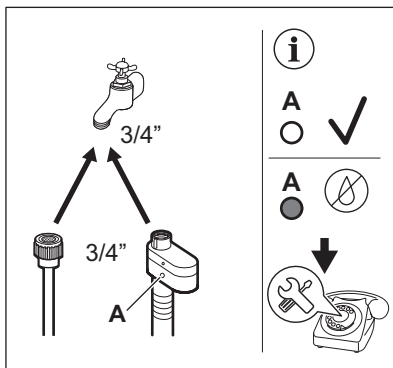
1. Collegare il tubo di ingresso dell'acqua sulla parte posteriore dell'apparecchiatura, se necessario. Di solito, è già installato in fabbrica.



2. Posizionarlo a sinistra o destra, a seconda della posizione del rubinetto. Assicurati che il tubo di carico non sia in posizione verticale.
3. Ove necessario, allenta il dado ad anello per sistemarlo nella posizione corretta
4. Collegare il tubo di carico dell'acqua a un rubinetto dell'acqua fredda con filettatura 3/4".

Alcuni modelli possono contenere un tubo di carico con dispositivo di blocco acqua. Evita

le perdite d'acqua nel tubo a causa del suo naturale invecchiamento. Il settore nella finestra indica questo guasto A. In tal caso chiudere il rubinetto dell'acqua e contattare il Centro di Assistenza autorizzato per informazioni sulla sostituzione del tubo.



**⚠ AVVERTENZA!**

L'acqua in ingresso non deve avere una temperatura superiore ai 25 °C.

**⚠ ATTENZIONE!**

Verificare che non vi siano perdite dai raccordi.

**i**

Non usare una prolunga se i tubi di carico dell'acqua sono troppo corti. Contattare il Centro di Assistenza per informazioni sulla sostituzione del tubo di carico dell'acqua.

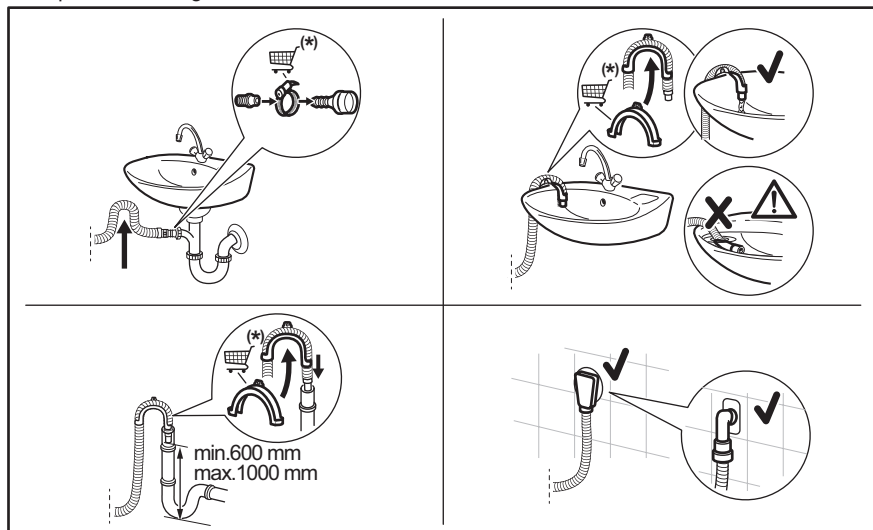
### 5.4 Scarico dell'acqua

Il tubo di scarico dovrebbe essere posizionato a un'altezza non inferiore a 60 cm e non superiore a 100 cm.

**i**

È possibile prolungare il tubo di scarico fino a un massimo di 400 cm. Contattare il Centro di Assistenza autorizzato per acquistare per l'altro tubo di scarico e la prolunga.

Sarà possibile collegare il tubo di scarico in diversi modi:



(\*) Con riserva di modifiche.

- Collegare il tubo di scarico al sifone e serrarlo con una pinza.
- Posizionare il tubo direttamente in una condotta di scarico incassata nel muro del locale e serrare con un fermo.
- Senza la guida del tubo flessibile in plastica, verso il sifone di un lavandino: fissare il tubo al sifone e serrarlo con una fascetta.
- A un tubo verticale dotato di foro di ventilazione: inserire il tubo di scarico direttamente in una condotta di scarico o in un tubo verticale.
- Il tubo di scarico può essere piegato a U e posizionato intorno alla guida in plastica. All'estremità del lavandino: fissare la guida al rubinetto dell'acqua o a parete.



Accertarsi che il tubo di scarico formi una curva per evitare il passaggio di particelle dal lavandino all'apparecchiatura.



Verificare che la guida in plastica non si muova quando l'apparecchiatura scarica e verificare anche che il tubo di scarico non sia immerso in acqua. Ci potrebbe essere un ritorno di acqua sporca nell'apparecchiatura. Acquistare gli accessori da un fornitore autorizzato.



L'estremità del tubo di scarico deve essere sempre ventilata, perciò il diametro interno del tubo di scarico (min. 38 mm = min. 1,5") deve essere più grande del diametro esterno del tubo di scarico.

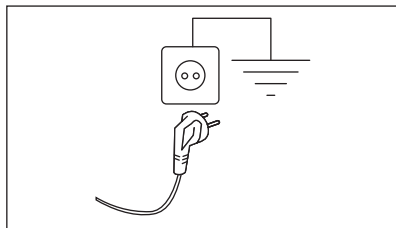
## 5.5 Collegamento elettrico

Al termine dell'installazione è possibile collegare la spina alla presa elettrica.

La targhetta di identificazione e il capitolo "Dati tecnici" indicano i valori elettrici necessari. Assicurarsi che siano compatibili con l'alimentazione di rete.

Verificare che l'impianto domestico possa sopportare il carico massimo richiesto, tenendo in considerazione anche le altre apparecchiature che possono essere utilizzate.

**Collegare l'apparecchiatura a una presa elettrica con messa a terra.**



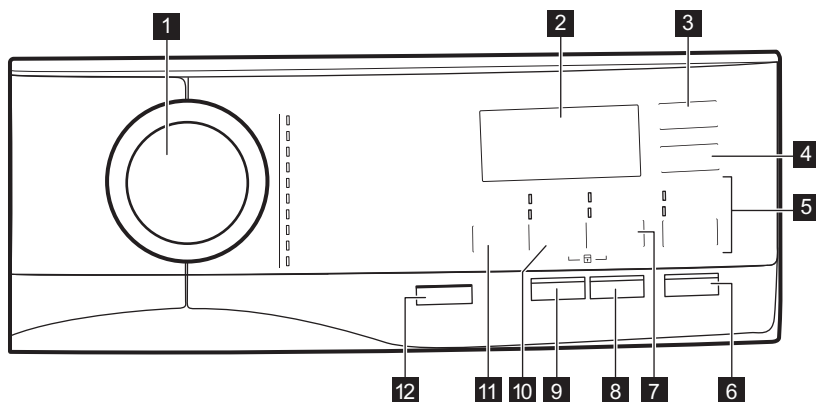
Il cavo di alimentazione deve essere facilmente accessibile dopo l'installazione dell'apparecchiatura.

Per qualsiasi intervento elettrico necessario per l'installazione di questa apparecchiatura, contattare il nostro Centro di Assistenza Autorizzato.

Il produttore declina qualsiasi responsabilità per danni o lesioni causati dal mancato rispetto delle suddette misure di sicurezza.

**6. PANNELLO DEI COMANDI**

**6.1 Descrizione del pannello dei comandi**

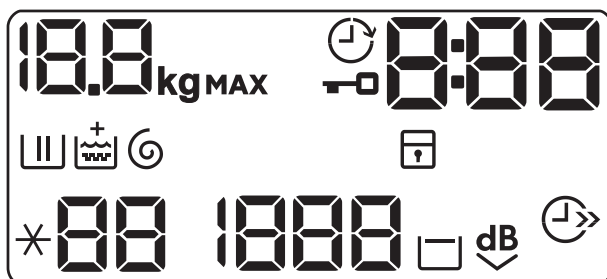


- 1** Selettore dei programmi
- 2** Display
- 3** Partenza Ritardata tasto a sfioramento
- 4** Risparmio Tempo tasto a sfioramento
- 5** Risciacquo tasto a sfioramento
  - Extra Risciacquo opzione
  - Salto della fase di lavaggio - Solo Risciacquo
- 6** Avvio/Pausa tasto a sfioramento

- 7** Macchie Plus/Prelavaggio tasto a sfioramento
  - Macchie opzione
  - Prelavaggio opzione
- 8** Pulsante Igiene (Hygiene)
- 9** Più Morbido tasto a sfioramento
- 10** Centrifuga tasto a sfioramento
  - Salto di fasi - Solo Scarico
  - Salto di fasi - Solo Centrifuga
- 11** Temperatura tasto a sfioramento

12 On/Off premere il tasto

## 6.2 Display



00 kg MAX

Spia carico massimo. L'icona **kg** lampeggia durante la stima del tempo del programma (rimandiamo al paragrafo "Il rilevamento del carico PROSENSE").



Spia della partenza ritardata.



Spia Oblò bloccato.

0:00

La spia digitale può mostrare:

- Durata del programma (ad esempio **2:40**).
- Tempo di ritardo (ad esempio **30'** oppure **2h**).
- fine del Ciclo (**□**).
- Codice di allarme (ad esempio: **E20**).
- Indicazione delle ore di esercizio totali dell'apparecchiatura. Fare riferimento alla sezione "Contatore delle ore di esercizio" nel paragrafo "Impostazioni" per ulteriori dettagli.



Spia della fase di lavaggio: lampeggia durante il pre-lavaggio e durante la fase di lavaggio.



Spia della fase di risciacquo: lampeggia durante la fase di risciacquo.



Compare la spia **+** quando l'opzione Più Morbido è attivata.



Indicatore di fase centrifuga e scarico. Lampeggia durante la fase di scarico e centrifuga.



Spia Sicurezza bambino.



Indicatore risparmio di tempo.

88

Indicatore della temperatura. L'indicatore \* - - compare quando viene impostato un lavaggio a freddo.

1888

Spia della velocità di centrifuga.



Indicatore No Cent. Finale.

## 7. SELETTORE E TASTI

### 7.1 On/Off

Premendo questo tasto per alcuni secondi sarà possibile attivare o disattivare l'apparecchiatura. Quando l'apparecchiatura viene accesa o spenta, si sentono due suoni diversi.

Quando la funzione Stand-by disattiva automaticamente l'apparecchiatura per ridurre il consumo energetico, in alcuni casi potrebbe essere necessario attivare nuovamente l'apparecchiatura.



**Il programma predefinito selezionato, all'accensione della macchina, è sempre il programma Eco 40-60, anche dopo il risveglio dalla modalità standby.**

Per ulteriori dettagli rimandiamo al paragrafo Stand-by nel capitolo Utilizzo quotidiano.

### 7.2 Introduzione





Le opzioni/funzioni non sono selezionabili con tutti i programmi di lavaggio. Controllare la compatibilità fra opzioni/funzioni e i programmi di lavaggio nella "Tabella dei programmi". Un'opzione/funzione può escludere l'altra, in questo caso l'apparecchiatura non consente di impostare congiuntamente le opzioni/funzioni incompatibili.

Assicurarsi che il display e i tasti a sfioramento siano sempre puliti e asciutti.

### 7.3 Temperatura

Quando viene selezionato un programma di lavaggio, l'apparecchiatura propone automaticamente una temperatura predefinita.

Toccare ripetutamente questo tasto fino a che non compare il valore di temperatura desiderato sul display.

Quando il display mostra le spie  e , l'apparecchiatura non scalda l'acqua.

### 7.4 Centrifuga

Quando viene impostato un programma, l'apparecchiatura seleziona automaticamente la velocità di centrifuga predefinita.


Premere ripetutamente questo tasto per:

- **Modificare la velocità di centrifuga.**



Il display mostra solo le velocità di centrifuga disponibili per il programma impostato.

- **Attivare l'opzione No centrifuga finale .** La centrifuga finale non viene eseguita. Si esclude lo scarico dell'acqua dell'ultimo risciacquo in modo da non sgualcire i tessuti. Il programma di lavaggio finisce con l'acqua nel cesto.


Il display mostra la spia . La porta rimane bloccata e il cestello gira regolarmente per ridurre le pieghe. È necessario scaricare l'acqua per sbloccare l'oblò.

Premendo il tasto Avvio/Pausa l'apparecchiatura esegue la fase di centrifuga e poi scarica l'acqua.



L'apparecchiatura scarica l'acqua automaticamente dopo circa 18 ore.

- **Attivare l'opzione Extra silenzioso.** Le fasi intermedie e quella finale della centrifuga vengono eliminate e il programma termina con l'acqua nel cestello. In questo modo vengono ridotte le pieghe.

Il display mostra la spia . La porta rimane bloccata. Il cesto ruota

regolarmente per ridurre le pieghe. È necessario scaricare l'acqua per sbloccare l'oblò.

Dato che il programma è molto silenzioso, è adatto per essere usato di notte quando l'energia elettrica costa meno. In alcuni programmi i risciacqui vengono eseguiti con più acqua.

Premendo il tasto Avvio/Pausa, l'apparecchiatura esegue unicamente la fase di scarico.



L'apparecchiatura scarica l'acqua automaticamente dopo circa 18 ore.

- **Attivare l'opzione di solo scarico (Salto delle fasi di lavaggio, risciacquo e centrifuga):** Solo Scarico.

L'apparecchiatura esegue solo la fase di scarico del programma di lavaggio selezionato.

Il display mostra l'indicatore — — (freddo), e l'indicatore — — — (no centrifuga) e l'indicatore

- **Attivare l'opzione di sola centrifuga (Salto delle fasi di lavaggio e risciacquo):** Solo Centrifuga.



Prima di impostare questa opzione, selezionare un programma di lavaggio adeguato agli indumenti.

L'apparecchiatura esegue il ciclo più adatto per la cura degli indumenti (ad esempio: per indumenti sintetici, selezionare come prima cosa il programma di lavaggio Sintetici e poi l'opzione Solo Centrifuga).

L'apparecchiatura esegue solo la fase di centrifuga del programma di lavaggio selezionato.

Il display mostra l'indicatore — — (freddo), l'indicatore di fase e la velocità della centrifuga.

## 7.5 Macchie Plus/Prelavaggio

Premere ripetutamente questo tasto per attivare una delle due opzioni.

La spia pertinente si accende sul display.

### • Macchie

Selezionare questa opzione per aggiungere una fase anti-macchia su un programma per trattare il bucato sporco o macchiato col prodotto per rimuovere le macchie.

Versare lo smacchiatore nello scomparto . Lo smacchiatore verrà aggiunto nella fase corretta del programma di lavaggio.



Questa opzione non è utilizzabile con temperature inferiori a 40 °C.

### • Prelavaggio

Usare questa funzione per aggiungere una fase di pre-lavaggio a 30°C prima di quella di lavaggio.

Questa opzione è consigliata per bucato molto sporco, in particolare se contiene sabbia, polvere, fango e altre componenti solide.



Queste opzioni possono aumentare la durata del programma.



Queste due opzioni non possono essere impostate insieme.

## 7.6 Più Morbido

Impostare l'opzione Più Morbido al fine di ottimizzare la distribuzione di ammorbidente e migliorare la morbidezza del tessuto.



Questa opzione aumenta leggermente la durata del programma.

## 7.7 Partenza Ritardata

Con questa opzione sarà possibile ritardare l'avvio di un programma a un momento più comodo.

Premere ripetutamente il tasto per impostare il ritardo necessario. Il tempo aumenta di 30 minuti fino a 90 minuti e da 2 ore a 20 ore.

Dopo aver sfiorato il tasto Avvio/Pausa, il display mostra la spia e il tempo di ritardo

selezionato e l'apparecchiatura inizia il conto alla rovescia.

## 7.8 Risciacquo

Con questo tasto sarà possibile selezionare una delle seguenti opzioni:

- Extra Risciacquo opzione  
Questa opzione aggiunge alcuni risciacqui al programma di lavaggio selezionato. Usare questa opzione per le persone allergiche ai residui di detersivi e in zone dove l'acqua è dolce.



Questa opzione aumenta leggermente la durata del programma.

- Salto della fase di lavaggio - Solo Risciacquo opzione  
L'apparecchiatura esegue solo la fase di risciacquo, centrifuga e scarico del programma selezionato.

L'indicatore corrispondente sopra al touch si illumina.

## 7.9 Risparmio Tempo

Con questa opzione è possibile ridurre la durata del programma.

- Se il bucato ha un livello di sporco normale o leggero, potrebbe essere consigliabile ridurre il programma di lavaggio. Toccare **una volta** questo tasto per ridurre la durata.
- In caso di un carico più piccolo, toccare **due volte** questo tasto per impostare un programma extra rapido.

Il display mostra la spia

## 7.10 Igiene

Impostare questa opzione con il programma capi Cotoni bianchi . Quando l'opzione è selezionata, non è possibile modificare né la temperatura né il tempo di ciclo. L'opzione Risparmio Tempo ed Extra silenzioso non sono disponibili.

L'indicatore corrispondente sopra al touch si illumina.

Questa opzione, grazie alla fase di lavaggio combinata con il vapore, rimuove oltre il 99,99% dei batteri e dei virus, mantenendo la temperatura al di sopra di 60 °C durante tutta la fase di lavaggio; con un'azione aggiuntiva sulle fibre grazie al vapore, una fase di risciacquo potenziato assicura una rimozione corretta dei residui di detersivo e dei microrganismi. Quest'opzione garantisce anche una riduzione adeguata delle particelle di pollini/allergeni.



Testato per Staphylococcus aureus, Enterococcus faecium, Candida albicans, Pseudomonas aeruginosa e il batteriofago MS2 nei test esterni eseguiti da Swisstatest Testmaterialien AG nel 2021 (verbale di prova n. 202120117).

## 7.11 Avvio/Pausa






Premere il tasto Avvio/Pausa per avviare, mettere in pausa l'apparecchiatura o interrompere un programma in funzione.

# 8. PROGRAMMI

## 8.1 Tabella dei programmi

### Programmi di lavaggio


Programma	Descrizione del programma
Programmi di lavaggio	
Eco 40-60	<b>Cotone bianco e colorato sintetico.</b> Capi normalmente sporchi. Il consumo di energia si riduce e la durata del programma di lavaggio viene allungata, garantendo buoni risultati di lavaggio.

Programma	Descrizione del programma
Cotoni	<b>Cotone bianco e colorato.</b> Capi normalmente, molto e poco sporchi
Sintetici	<b>Capi in tessuti sintetici o misti.</b> Capi normalmente sporchi.
Delicati	<b>Tessuti delicati quali ad esempio acrilici, viscosa e tessuti misti che richiedono un lavaggio più delicato.</b> Capi normalmente e poco sporchi.
Lana/Seta 	<b>Indumenti di lana lavabili a macchina, a mano e altri tessuti</b> che riportano sull'etichetta il simbolo di "lavaggio a mano" <sup>1)</sup>
20 min. - 3 kg	<b>Capi in cotone e sintetici</b> leggermente sporchi o dopo essere stati indossati.
Stiro Facile	<b>Capi sintetici che richiedono un lavaggio delicato.</b> Capi normalmente e leggermente sporchi. <sup>2)</sup>
Piumini	Programma di lavaggio speciale per <b>singoli piumini, coperte in tessuto sintetico, copriletto</b> , ecc.
Outdoor	<div style="border: 1px solid black; padding: 5px;"> <p> Non usare ammorbidente e fare in modo che non vi siano residui di ammorbidente nel cassetto del detersivo.</p> <p><b>Asciugatura per indumenti per l'aria aperta, tecnici, sportivi, giacche impermeabili e traspiranti, giacca aderente dotata di interno in pile rimovibile o rivestimento isolante interno.</b> Il carico di bucato consigliato è 1.5 kg. Questo programma può essere usato anche come fase di ripristino dell'impermeabilizzazione, essendo studiato appositamente per creare un rivestimento idrofobico sugli indumenti. Per eseguire la fase di ripristino dell'impermeabilizzazione, procedere come indicato di seguito:</p> <ul style="list-style-type: none"> <li>• Versare il detersivo nello scomparto .</li> <li>• Versare un prodotto speciale per il ripristino dell'impermeabilizzazione nel cassetto per l'ammorbidente .</li> <li>• Ridurre il carico del bucato a 1.0 kg.</li> </ul> </div> <div style="border: 1px solid black; padding: 5px; margin-top: 10px;"> <p> Per migliorare ulteriormente l'azione di ripristino dell'impermeabilizzazione, asciugare in asciugatrice impostando il programma di asciugatura Outdoor (ove disponibile e se l'etichetta consente l'asciugatura in asciugatrice).</p> </div>
Denim	<b>Indumenti in denim e capi in jersey.</b> Sporco normale. Questo programma esegue una fase di risciacquo delicata, pensata per il denim, che riduce gli scolorimenti e non lascia residui del detersivo in polvere sulle fibre.

<sup>1)</sup> Durante questo ciclo il cesto ruota lentamente per garantire un lavaggio delicato. Se sembra che il cesto non ruoti o non ruoti adeguatamente, non si tratta di un'anomalia.

<sup>2)</sup> Per ridurre le pieghe, questo ciclo regola la temperatura dell'acqua ed esegue una fase di lavaggio e centrifuga delicata. L'apparecchiatura aggiunge alcuni risciacqui.

## Temperatura del programma, velocità di centrifuga massima e carico massimo

Programma	Temperatura pre-definita Gamma di temperatura	Velocità di centrifuga di riferimento Gamma velocità centrifuga	Carico massimo
<b>Programmi di lavaggio</b>			
Eco 40-60	40 °C <sup>1)</sup>	1200 giri/min 1200 giri/min – 400 giri/min	6.0 kg
Cotoni	40 °C 95 °C – A freddo	1200 giri/min 1200 giri/min – 400 giri/min	6.0 kg
Sintetici	40 °C 60 °C – A freddo	1200 giri/min 1200 giri/min – 400 giri/min	3.0 kg
Delicati	30 °C 40 °C – A freddo	1200 giri/min 1200 giri/min – 400 giri/min	1.0 kg
Lana/Seta 	40 °C 40 °C – A freddo	1200 giri/min 1200 giri/min – 400 giri/min	1.0 kg
20 min. - 3 kg	30 °C 40 °C – 30 °C	1200 giri/min 1200 giri/min – 400 giri/min	3.0 kg
Stiro Facile	30 °C 60 °C – A freddo	800 giri/min 800 giri/min – 400 giri/min	3.0 kg
Piumini	40 °C 60 °C – A freddo	800 giri/min 800 giri/min – 400 giri/min	2.0 kg
Outdoor	30 °C 40 °C – A freddo	1200 giri/min 1200 giri/min – 400 giri/min	1.5 kg <sup>2)</sup> 1.0 kg <sup>3)</sup>
Denim	30 °C 40 °C – A freddo	800 giri/min 1200 giri/min – 400 giri/min	1.5 kg

**1)** Secondo la norma UE 2019/2023 della Commissione, questo programma a 40 °C è in grado di pulire il bucato di cotone con un livello di sporco normale, dichiarato lavabile a 40 °C o 60 °C, insieme nello stesso ciclo.






Per la temperatura raggiunta nella lavanderia, la durata del programma e altri dati, consultare il capitolo "Valori di consumo".

I programmi più efficienti in termini di consumo energetico sono in genere quelli che funzionano a temperature più basse e durano più a lungo.

**2)** Programma di lavaggio.

**3)** Programma di lavaggio e fase di impermeabilizzazione.

## Compatibilità delle opzioni programma

	Eco 40-60	Cotoni	Sintetici	Delicati	Lana/Seta 	20 min. - 3 kg	Stiro Facile	Piumini	Outdoor	Denim
Centrifuga	■	■	■	■	■	■	■	■	■	■
Antipiega 	■	■	■	■	■		■		■	■
Extra silenzioso 		■	■	■						■
Solo Scarico		■	■	■	■	■	■	■	■	■
Solo Centrifuga <sup>1)</sup>		■	■	■	■	■	■	■	■	■
Macchie <sup>2)</sup>		■	■				■			■
Prelavaggio		■	■				■			
Extra Risciacquo		■	■	■			■		■	■
Solo Risciacquo		■	■	■	■	■	■	■	■	■
Hygiene		■								
Risparmio Tempo <sup>3)</sup>		■	■	■			■			
Partenza Ritardata	■	■	■	■	■	■	■	■	■	■
Più Morbido		■	■	■			■			■


<sup>1)</sup> Prima di impostare questa opzione, selezionare un programma di lavaggio adeguato agli indumenti. L'apparecchiatura esegue il ciclo più adatto per la cura degli indumenti (ad esempio: per indumenti sintetici, selezionare come prima cosa il programma di lavaggio Sintetici e poi l'opzione Solo Centrifuga).

<sup>2)</sup> Questa opzione non è utilizzabile con temperature inferiori a 40°C.

<sup>3)</sup> Se si imposta la durata più breve, consigliamo di ridurre le dimensioni del carico. È possibile caricare completamente l'apparecchiatura, ma i risultati del lavaggio potrebbero essere meno soddisfacenti.

### Detersivi idonei per i programmi di lavaggio

Programma	Polvere universale <sup>1)</sup>	Liquido universale	Liquido per colorati	Delicati in lana	Speciale
Eco 40-60	▲	▲	▲	--	--
Cotoni	▲	▲	▲	--	--
Sintetici	▲	▲	▲	--	--
Delicati	--	--	--	▲	▲

Programma	Polvere uni- versale <sup>1)</sup>	Liquido uni- versale	Liquido per colorati	Delicati in la- na	Speciale
 Lana/Seta	--	--	--	▲	▲
20 min. - 3 kg	--	▲	▲	--	--
Stiro Facile	▲	▲	▲	--	--
Piumini	--	--	--	▲	▲
Outdoor	--	--	--	▲	▲
Denim	--	--	▲	▲	▲

1) A temperature superiori a 60 °C si consiglia l'uso di detersivo in polvere.

▲ = Consigliato

-- = Non consigliato

## 8.2 Woolmark Premium Wool Care - Blu



Il ciclo di lavaggio lana di questa apparecchiatura è stato testato e approvato dalla Woolmark Company per lavare indumenti di lana con etichetta riportante la dicitura "lavaggio a mano" a patto che i prodotti vengano lavati seguendo le istruzioni riportate sulle relative etichette e le indicazioni del produttore della lavatrice.  
M1459

## 9. IMPOSTAZIONI


### 9.1 Introduzione



Quando viene premuta una combinazione di tasti, **non inclinare** le dita verso il basso. I sensori dei pulsanti inferiori sono delicati e potrebbero interferire con la propria scelta.

### 9.2 Sicurezza Bambini

Questa opzione consente di evitare che i bambini possano giocare con il pannello dei comandi.

- Per **attivare/disattivare** questa opzione, premere contemporaneamente Macchie Plus/Prelavaggio e Centrifuga finché la spia  si **accende/spegne** sul display. Attivazione dell'opzione:
- Dopo aver toccato il tasto Avvio/Pausa : tutti i pulsanti e il selettore programma sono disattivati (eccetto il tasto On/Off ).
- Prima di sfiorare il tasto Avvio/Pausa : l'apparecchiatura non si avvia. L'apparecchiatura mantiene la selezione di questa opzione dopo lo spegnimento.

### 9.3 Segnali acustici

Questa apparecchiatura è dotata di vari segnali acustici, che funzionano quando:

- Viene attivata l'apparecchiatura (breve suono speciale).
- Viene disattivata l'apparecchiatura (breve suono speciale).
- Si toccano i tasti (suono clic).
- Viene effettuata una selezione errata (3 suoni brevi).
- Il programma è completato (sequenza di suoni per circa 2 minuti).
- L'apparecchiatura ha un'anomalia di funzionamento (sequenza di brevi suoni per circa 5 minuti).

Per **attivare/disattivare** i segnali acustici quando il programma è completato, sfiorare contemporaneamente Macchie Plus/ Prelavaggio e Igiene per circa 6 secondi.



Se si disattivano i segnali acustici, gli stessi continueranno a funzionare in caso di malfunzionamento dell'apparecchiatura.

### 9.4 Extra Risciacquo permanente

Con questa opzione è possibile fare un risciacquo extra quando viene impostato un nuovo programma.

- Per **attivare/disattivare** questa opzione, premere contemporaneamente Risciacquo e Macchie Plus/Prelavaggio fino a che l'indicatore del tasto Extra Risciacquo **non si accende/spegne**.

### 9.5 Contatore delle ore di esercizio

È possibile visualizzare il tempo totale di funzionamento dell'apparecchiatura in ore, a partire dalla prima accensione. Questo valore conterà il tempo di funzionamento dei cicli (non include pause e tempo di partenza ritardata). Per visualizzare questo valore, procedere come segue:

1. Accendere l'apparecchiatura premendo il tasto On/Off.

2. Ruotare la manopola dei programmi sul programma Eco 40-60 (1a posizione in senso orario).
3. Tenere premuti i tasti Macchie Plus/ Prelavaggio e Igiene per alcuni secondi (entro 10 secondi dall'accensione. Dopo questi 10 secondi la combinazione di tasti attiva e disattiva i segnali acustici).
4. Dopo 3 secondi sul display vengono visualizzate le ore totali di funzionamento dell'apparecchiatura: ad es. 1276 ore, il display mostra il testo Hr per 2 secondi, 12 (migliaia e centinaia) per 2 secondi e 76 (decine e unità).



Se la procedura non funziona (a causa di timeout, posizione errata del selettore programmi o combinazione di tasti errata), spegnere l'apparecchiatura e ripetere la sequenza dall'inizio.

### 9.6 Reset Imp. di Fabbrica

Questa funzione consente di ripristinare le opzioni di fabbrica. Per **attivare** quest'opzione, attenersi alla procedura seguente:

1. Accendere l'apparecchiatura premendo il tasto On/Off.
2. Ruotare la manopola dei programmi sul programma Sintetici (3a posizione in senso orario).
3. Tenere premuti i tasti Macchie Plus/ Prelavaggio e Igiene per alcuni secondi (entro 10 secondi dall'accensione. Dopo questi 10 secondi la combinazione di tasti attiva e disattiva i segnali acustici).
4. Il display visualizzerà — — — per circa 5 secondi.



Se la procedura non funziona (a causa di timeout, posizione errata del selettore programmi o combinazione di tasti errata), spegnere l'apparecchiatura e ripetere la sequenza dall'inizio.

## 10. PRIMA DI UTILIZZARE L'ELETTRODOMESTICO

1. Verificare che l'alimentazione elettrica sia disponibile e che il rubinetto dell'acqua sia aperto.

2. Versare 2 litri di acqua nello scomparto del detersivo contrassegnato da **2**.

Questa azione attiva il sistema di scarico.

3. Versare un po' di detersivo nello scomparto contrassegnato da **2**.

4. Impostare e avviare un programma per il cotone alla massima temperatura senza carico all'interno del cesto.

In questo modo si rimuoveranno eventuali residui di lavorazione dal cesto e dalla vasca.

## 11. UTILIZZO QUOTIDIANO

### **AVVERTENZA!**

Fare riferimento ai capitoli sulla sicurezza.

### 11.1 Attivazione dell'apparecchiatura

1. Collegare la spina alla presa di corrente.
2. Aprire il rubinetto dell'acqua.
3. Premere il tasto On/Off per alcuni secondi per attivare l'apparecchiatura.

Viene emesso un breve segnale acustico.

L'apparecchiatura propone automaticamente un programma predefinito. La spia corrispondente si accende.

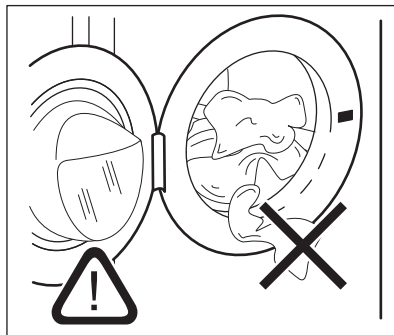
Il display mostra il programma predefinito, Eco 40-60, la durata del programma, il carico massimo, la temperatura predefinita, la velocità di centrifuga predefinita e le spie delle fasi che compongono il programma.

### 11.2 Caricamento della biancheria

- Aprire la porta dell'apparecchiatura.
- Scuotere i capi prima di introdurli nell'apparecchiatura.
- Mettere il bucato nel cestello, un capo alla volta.

Assicurarsi di non mettere troppa biancheria nel cesto.

- Chiudere saldamente lo sportello.

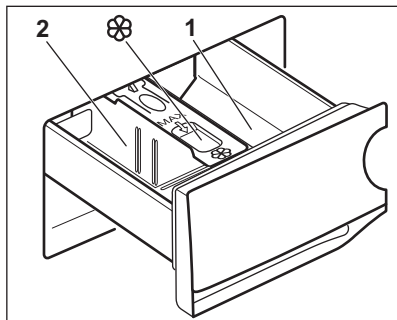


### **ATTENZIONE!**

- Assicurarsi che non vi sia della biancheria tra la guarnizione e l'oblò. Esiste il rischio di perdita d'acqua o danni alla biancheria.
- Lavare le macchie grasse e molto oleose usare dei profumi potrebbe danneggiare le parti in gomma dell'apparecchiatura.

### 11.3 Uso di detersivi ed additivi

1. Dosare il detersivo e l'ammorbidente.
2. Versare il detersivo e l'ammorbidente nelle rispettive vaschette.
3. Chiudere delicatamente il cassetto del detersivo



### ⚠ ATTENZIONE!

Utilizzare solo detersivi specifici per lavabiancheria.



Osservare sempre le istruzioni riportate sulle confezioni dei detersivi.

**1** Vaschetta del detersivo dedicato alla fase di prelavaggio o ammollo (se disponibile). Aggiungere il detersivo per il prelavaggio e l'ammollo prima che inizi il programma.

**2** Vaschetta del detersivo per la fase di lavaggio. Se si utilizza un detersivo liquido, versarlo immediatamente prima di avviare il programma.

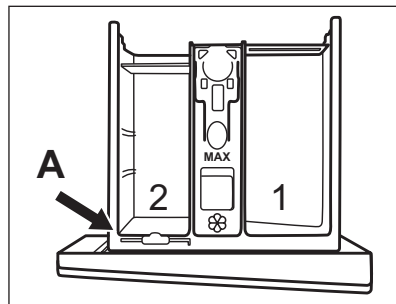


Vaschetta degli additivi liquidi (ammorbidente, inamidante). Introdurre il prodotto nella vaschetta prima di avviare il programma.

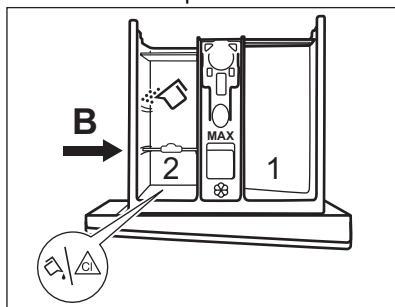
Dopo un ciclo di lavaggio, ove necessario, rimuovere gli eventuali residui di detersivo dal cassetto del detersivo.

## 11.4 Modificare la posizione del divisorio nel cassetto del detersivo.

**1.** Estrarre il contenitore del detersivo. La posizione **A** del divisorio del detersivo serve per il **detersivo in polvere** (impostazione di fabbrica).

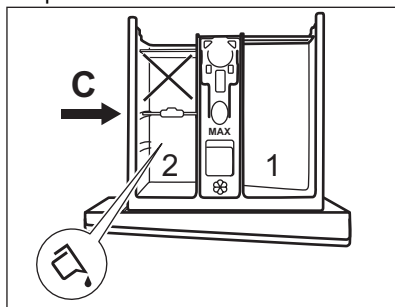


**2.** Per usare anche detersivo liquido/additivo o candeggina: Togliere il divisorio del detersivo dalla posizione **A** e inserirlo nella posizione **B**.



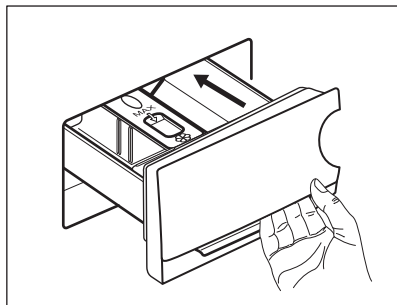
La posizione **B** del divisorio del detersivo è per il detersivo in polvere nello scomparto posteriore e per il detersivo liquido/additivo o candeggina nello scomparto anteriore.

**3.** Per utilizzare solo il detersivo liquido: Inserire il divisorio del detersivo in posizione **C**.



- Non utilizzare detersivi in gel o densi.
- Non superare il dosaggio massimo di detergente liquido.
- Non impostare la fase di prelavaggio.

- Non impostare la funzione partenza ritardata.
4. Misurare il detergente e l'ammorbidente, quindi chiudere con attenzione il cassetto del detersivo.



Accertarsi che il divisorio del detersivo sia inserito correttamente e che non venga bloccato quando si chiude il cassetto.

## 11.5 Impostazione di un programma

1. Ruotare il selettore dei programmi per selezionare il programma di lavaggio desiderato. La spia del programma si accende.

Eco 40-60 è il programma proposto predefinito quando l'apparecchiatura è accesa, quello a cui si riferiscono le informazioni dell'etichetta energetica. La spia del tasto Avvio/Pausa lampeggia. Il display mostra il carico predefinito dichiarato per il programma, la temperatura predefinita, la velocità di centrifuga predefinita, le indicazioni sulla fase di lavaggio (ove disponibili) e una durata indicativa del programma.

2. Per modificare la temperatura e/o la velocità di centrifuga, premere i relativi tasti.
3. Qualora lo si desidera, impostare una o più opzioni toccando i relativi tasti. Le spie relative si accendono sul display e le informazioni fornite variano di conseguenza.



Qualora **non sia possibile** effettuare una selezione, non si accende nessuna spia e viene emesso un segnale acustico.

## 11.6 Avvio di un programma

Premere il pulsante Avvio/Pausa per avviare il programma.

La spia relativa smette di lampeggiare e rimane accesa.

Lo sportello è bloccato e il programma si avvia. Il display mostra la spia



La pompa di scarico funziona brevemente prima che l'apparecchiatura si riempia di acqua.

## 11.7 Avvio del programma con partenza ritardata

1. Toccare questo tasto ripetutamente finché il display non mostra il ritardo desiderato. Si illumina la spia

2. Premere il tasto Avvio/Pausa.

L'apparecchiatura inizia il conto alla rovescia della partenza ritardata.

Appena è completato il conto alla rovescia, il programma si avvia.



La stima ProSense inizia alla fine del conto alla rovescia.

## Annullamento della partenza ritardata dopo l'inizio del conto alla rovescia

Per annullare la partenza ritardata:

1. Sforare il tasto Avvio/Pausa per mettere in pausa l'apparecchiatura. La spia corrispondente lampeggia.
2. Toccare ripetutamente il tasto Partenza Ritardata fino a che sul display non compare .
3. Premere nuovamente il tasto Avvio/Pausa per avviare immediatamente il programma.

## Modifica della partenza ritardata dopo l'inizio del conto alla rovescia

Per modificare la partenza ritardata:


1. Sforare il tasto Avvio/Pausa per mettere in pausa l'apparecchiatura. La spia corrispondente lampeggia.



2. Toccare ripetutamente il tasto Partenza Ritardata finché il display non mostra il ritardo desiderato.
3. Toccare nuovamente il tasto Avvio/Pausa per avviare il nuovo conto alla rovescia.

## 11.8 Rilevamento del carico ProSense



La durata del programma nel display si riferisce a un **carico medio/alto**.

Dopo aver sfiorato il tasto Avvio/Pausa, la spia di carico massimo dichiarato si spegne, la spia  lampeggia, il ProSense inizia il rilevamento del carico del bucato:

1. L'apparecchiatura rileva il carico nei primi 30 secondi: la spia **kg** e i puntini del tempo  lampeggiano, il cestello gira per alcuni istanti.
2. Al termine del rilevamento del carico l'indicatore **kg** si spegne e i puntini del tempo  smettono di lampeggiare. La durata del programma verrà regolata di conseguenza, e potrebbe aumentare o diminuire. Dopo altri 30 secondi, inizia il riempimento dell'acqua.

Al termine del rilevamento del carico, **in caso di sovraccarico del cesto**, l'indicatore **MAX** lampeggia sul display:

In questo caso, per 30 secondi, sarà possibile mettere in pausa l'apparecchiatura e togliere gli indumenti in eccesso.

Dopo aver tolto gli indumenti in eccesso, sfiorare il tasto Avvio/Pausa per avviare nuovamente il programma. La fase ProSense può essere ripetuta fino a tre volte (cfr. punto 1).

**Importante!** Se il quantitativo di bucato non viene ridotto, il programma di lavaggio inizia comunque, a prescindere dal sovraccarico. In questo caso non sarà possibile garantire risultati di lavaggio ottimali.



Circa 20 minuti dopo l'avvio del programma, la durata del programma potrebbe essere nuovamente modificata a seconda della capacità di assorbimento dell'acqua dei tessuti.



Il rilevamento ProSense viene eseguito solo con programmi di lavaggio completi (nessun salto di fase selezionato).

## 11.9 Spie delle fasi del programma


Quando il programma parte la spia della fase di funzionamento lampeggia e le spie delle altre fasi sono accese fisse.

Ad esempio: la fase di lavaggio o pre-

lavaggio è in funzione: 

Quando la fase termina la spia rilevante smette di lampeggiare ed è accesa fissa. La spia fase successiva inizia a lampeggiare.

Ad esempio: la fase di risciacquo è in

funzione: 

## 11.10 Interruzione di un programma e modifica delle opzioni

Quando il programma è in funzione sarà possibile modificare **solo alcune** opzioni:

1. Premere il tasto Avvio/Pausa. La spia corrispondente lampeggia.
2. Modifica delle opzioni. Le informazioni fornite nel display variano di conseguenza.
3. Sfiore nuovamente il tasto Avvio/Pausa.

Il programma di lavaggio prosegue.

## 11.11 Annullamento di un programma in corso

1. Premere il tasto On/Off per annullare il programma e disattivare l'apparecchiatura.
2. Premere nuovamente il tasto On/Off per attivare l'apparecchiatura.

A questo punto è possibile impostare un nuovo programma di lavaggio.



Qualora la fase ProSense sia già stata eseguita e il riempimento di acqua sia già partito, il nuovo programma inizia **senza ripetere la fase ProSense**. L'acqua e il detersivo non vengono scaricati per evitare sprechi. Il display mostra la durata massima del programma, aggiornandola 20 minuti dopo l'inizio del nuovo programma.

### 11.12 Apertura della porta - Aggiunta di indumenti

Durante lo svolgimento del programma o della partenza ritardata la porta è bloccata.



Se la temperatura e il livello dell'acqua nel cesto sono troppo elevati e/o il cesto ancora gira, non è possibile aprire l'oblò.

1. Premere il tasto **Avvio/Pausa** .  
Nel display la spia della porta bloccata si spegne.
  2. Aprire la porta dell'apparecchiatura. Ove necessario, aggiungere o rimuovere gli articoli.
  3. Chiudere la porta e sfiorare il tasto **Avvio/Pausa**
- Il programma o la partenza ritardata proseguono.
4. Sarà possibile aprire l'oblò al termine del programma, o impostare la centrifuga o il programma/l'opzione di scarico, quindi premere il pulsante **Avvio/Pausa** .

### 11.13 Fine del programma

L'apparecchiatura si arresta automaticamente una volta terminato il programma. Vengono emessi i segnali acustici (se attivi).

Nel display tutte le spie della fase di lavaggio diventano fisse e viene visualizzata la zona tempo

La spia del tasto **Avvio/Pausa** si spegne.

La porta si sblocca e si spegne la spia

1. Premere il tasto **On/Off** per spegnere l'apparecchio.

Dopo cinque minuti dalla fine del programma la funzione di risparmio energetico spegne automaticamente l'apparecchiatura.



Quando si riattiva l'apparecchiatura, quest'ultima propone Eco 40-60 come programma predefinito. Ruotare il selettore dei programmi per impostare un nuovo ciclo.

2. Togliere la biancheria dall'apparecchiatura.
3. Assicurarsi che il cestello sia vuoto.
4. Tenere l'oblò e il cassetto del detersivo leggermente aperti, al fine di evitare la formazione di muffa e cattivi odori.
5. Chiudere il rubinetto dell'acqua.

### 11.14 Drenaggio dell'acqua dopo la fine del ciclo

Qualora sia stato scelto un programma o un'opzione che non svuota l'acqua dell'ultimo risciacquo, il programma è completato, ma:

- Il display mostra le spie , opzione o **dB** , e la spia sportello bloccato . La spia della fase in esecuzione lampeggia.
  - Il cesto ruota ancora a intervalli regolari in modo da non sgualcire i tessuti.
  - L'oblò rimane bloccato.
  - Prima di aprire lo sportello è necessario scaricare l'acqua:
1. Ove necessario, premere il tasto **Centrifuga** per ridurre la velocità della centrifuga proposta dall'apparecchiatura.
  2. Premere il tasto **Avvio/Pausa** :
    - Qualora sia stato impostato , l'apparecchiatura scarica l'acqua ed esegue la centrifuga.
    - Qualora sia stato impostato **dB** , l'apparecchiatura scarica solo l'acqua.
- La spia indicatore o **dB** si spegne, mentre l'indicatore lampeggia e poi si spegne.
3. Al termine del programma, una volta spenta la spia di porta bloccata , è possibile aprirlo.

- 4. Premere il tasto On/Off per alcuni secondi per disattivare l'apparecchiatura.



In ogni caso l'apparecchiatura svuota l'acqua automaticamente dopo circa 18 ore.

### 11.15 Opzione Stand-by

La funzione Stand-by disattiva automaticamente l'apparecchiatura per ridurre il consumo di energia quando:

- Non usare l'apparecchiatura da 5 minuti prima di sfiorare il tasto Avvio/Pausa . Premere il tasto On/Off per attivare nuovamente l'apparecchiatura.

- 5 minuti dopo la fine del programma di lavaggio. Premere il tasto On/Off per attivare nuovamente l'apparecchiatura. L'apparecchiatura propone Eco 40-60 come programma predefinito. Ruotare il selettore dei programmi per impostare un nuovo ciclo.



Se si imposta un programma o un'opzione che termina con l'acqua nel cesto, la funzione Stand-by **non disattiva** l'apparecchiatura per ricordarvi di scaricare l'acqua.

## 12. CONSIGLI E SUGGERIMENTI UTILI



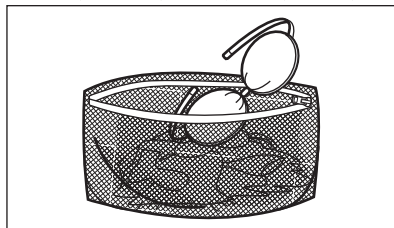
### AVVERTENZA!

Fare riferimento ai capitoli sulla sicurezza.

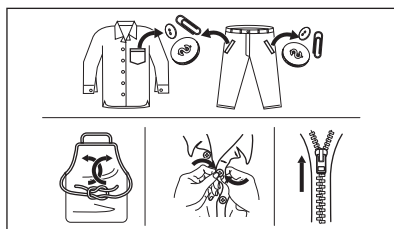
### 12.1 Il carico di biancheria

- Dividere il bucato in: bianchi, colorati, sintetici, delicati e lana.
- Attenersi alle istruzioni di lavaggio indicate nelle etichette dei capi.
- Non lavare insieme capi bianchi e colorati.
- Alcuni capi colorati potrebbero perdere colore al primo lavaggio. Si consiglia di lavarli separatamente le prime due volte.
- Rivoltare i tessuti multi-strato, i capi in lana e quelli con immagini stampate.
- Pre-trattare le macchie ostinate.
- Lavare le macchie difficili con un detersivo apposito.
- Prestare attenzione alle tende. Togliere i ganci e sistemare le tende in una retina o federa.
- Un carico molto ridotto può causare problemi di equilibrio durante la fase di centrifuga, il che può portare a vibrazioni eccessive. Qualora ciò si verifici:
  - a. interrompere il programma e aprire l'oblò (rimandiamo al capitolo "Uso quotidiano");

- a. redistribuire manualmente il carico in modo che i capi siano disposti in modo uniforme all'interno della vasca;
  - b. ridistribuire manualmente il carico in modo che i capi siano disposti in modo uniforme all'interno della vasca;
  - c. premere il tasto Avvio/Pausa. La fase di centrifuga continua.
- Abbottonare le federe e chiudere cerniere, ganci e bottoni. Chiudere cinture, cordoni, lacci, nastri e altri elementi allentati.
  - Non lavare capi senza orlo o strappati. Utilizzare una retina per lavare piccoli capi e/o capi delicati (ad es. reggiseni con ferretto, cinture, calze, lacci, nastri, ecc.).



- Svuotare le tasche e distendere gli indumenti.



## 12.2 Macchie ostinate

Per alcune macchie, acqua e detersivo non è sufficiente.

Consigliamo di pre-trattare tali macchie prima di mettere i capi nell'apparecchiatura.

Sono disponibili degli smacchiatori speciali. Usare uno smacchiatore speciale adatto al tipo di macchia e tessuto.

## 12.3 Tipo e quantità di detersivo

La scelta del detersivo e l'uso di quantità corrette non solo influisce sulle prestazioni di lavaggio, ma aiuta anche ad evitare sprechi e a proteggere l'ambiente:

- Usare solo detersivi e altri additivi adatti ai lavaggi in lavabiancheria: Per prima cosa, attenersi a queste regole generiche:
  - detergenti in polvere (anche pastiglie e detersivi monodose) per tutti i tipi di tessuto, esclusi quelli delicati. Optare per i detersivi in polvere che contengono candeggina per i bianchi e per l'igienizzazione del bucato,
  - detersivo liquido (anche detersivi monodose), preferibilmente per programmi di lavaggio a bassa temperatura (60 °C max.), per tutti i tipi di tessuto o per quelli speciali per la lana.
- La scelta e la quantità di detersivo dipenderà da: tipo di tessuto (delicati, lana, cotone, ecc.), colore degli indumenti, dimensione del carico, livello di sporcizia, temperatura di lavaggio, il tempo e durezza dell'acqua utilizzata.
- Attenersi alle istruzioni sulla confezione dei detersivi o di altri prodotti senza superare il livello massimo indicato (**MAX**).
- Non mescolare tipi diversi di detersivi.
- Utilizzare meno detergente se:
  - si sta lavando un carico ridotto,
  - la durata del programma è stata ridotta dal tasto Time Manager.
  - il bucato è poco sporco,
  - si forma molta schiuma durante il lavaggio.
- Quando si utilizzano pastiglie o capsule di detersivo, metterle sempre all'interno del cestello, non nel cassetto del detersivo e seguire le raccomandazioni del produttore.

## Una quantità insufficiente di detersivo può causare:

- risultati di lavaggio insoddisfacenti,
- l'ingrignimento del carico di lavaggio,
- vestiti unti,
- muffa all'interno dell'apparecchiatura.

## Una quantità eccessiva di detersivo può causare:

- formazione di schiuma,
- riduzione dell'effetto del lavaggio,
- risciacquo inadeguato,
- un maggiore impatto sull'ambiente.

## 12.4 Suggerimenti per il risparmio

Per risparmiare acqua, energia e detersivo si consiglia di seguire questi suggerimenti:

- Caricando l'apparecchiatura alla **capacità massima indicata per ogni programma è possibile ridurre il consumo di energia e di acqua**.
- Con un pretrattamento adeguato, è possibile rimuovere le macchie e lo sporco ostinato; il bucato può quindi essere lavato a una temperatura più bassa.
- Per utilizzare la giusta quantità di detersivo, rimandiamo alla quantità indicata dal produttore del detersivo. Controllare inoltre la durezza dell'acqua del proprio sistema domestico. Fare riferimento a "Durezza dell'acqua".
- Se si dispone di un'asciugatrice, si consiglia di utilizzare la **massima velocità di centrifuga possibile** per il programma di lavaggio selezionato per risparmiare energia durante l'asciugatura.
- Preferibilmente usare cicli brevi a temperature inferiori.

## 12.5 Durezza dell'acqua

Se la durezza dell'acqua nella zona è alta o medio-alta, si consiglia di utilizzare un decalcificante per le lavatrici.

Nelle aree in cui l'acqua ha una durezza dell'acqua è bassa, non è necessario utilizzare un decalcificante.

Per scoprire il livello di durezza dell'acqua locale contattare l'ente erogatore locale.

Utilizzare la quantità corretta di decalcificatore. Attenersi alle istruzioni riportate sulle confezioni del prodotto.

## 13. PULIZIA E CURA

### **AVVERTENZA!**

Fare riferimento ai capitoli sulla sicurezza.

### 13.1 Programma di pulizia periodica

**La pulizia periodica aiuta a prolungare la durata dell'apparecchiatura.**

Dopo ogni ciclo tenere lo sportello e il cassetto del detersivo aperti per far circolare l'aria e asciugare l'umidità all'interno dell'apparecchiatura.

Se l'apparecchiatura non viene utilizzata per un lungo periodo di tempo, chiudere il rubinetto dell'acqua e scollegarla dalla spina.

#### **Programma indicativo di pulizia periodica:**

Decalcificazione	Due volte l'anno
Lavaggio di manutenzione	Una volta al mese
Pulizia della guarnizione dell'oblò	Ogni due mesi
Pulizia del cesto	Ogni due mesi
Pulizia del cassetto del detersivo	Ogni due mesi
Pulizia del tubo di carico e del filtro della valvola	Due volte l'anno

### 13.2 Rimuovere gli oggetti estranei



Prima di avviare il ciclo, assicurarsi che tutte le tasche siano vuote e le parti sciolte siano legate. Fare riferimento alla sezione "Carico di biancheria" in "Consigli e suggerimenti utili".

### 13.3 Pulizia esterna

Pulire l'apparecchiatura esclusivamente con acqua tiepida saponata. Asciugare perfettamente tutte le superfici.

Non utilizzare spugne abrasive o materiale abrasivo.

### **ATTENZIONE!**

Non utilizzare alcol, solventi o prodotti chimici.

### **ATTENZIONE!**

Non pulire le superfici metalliche con detergenti a base di cloro.

### 13.4 Decalcificazione



Se la durezza dell'acqua nella zona è alta o medio alta, si consiglia di utilizzare un decalcificante per le lavatrici.

Esaminare a intervalli regolari il cesto al fine di controllare la presenza di calcare.

I detersivi normalmente disponibili in commercio contengono già addolcitori, ma consigliamo di eseguire di tanto in tanto un ciclo col cesto vuoto e un prodotto disincrostante.



Attenersi sempre alle istruzioni riportate sulle confezioni dei prodotti.

### 13.5 Lavaggio di manutenzione

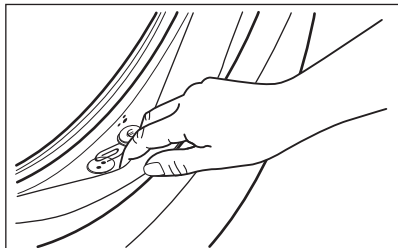
L'uso ripetuto e prolungato di programmi a bassa temperatura può causare depositi di detersivi, residui di lanugine, crescita batterica all'interno del cesto e della vasca. Ciò potrebbe generare cattivi odori e muffa.

Per eliminare questi depositi e igienizzare la parte interna dell'apparecchiatura, eseguire a intervalli regolari lavaggi di manutenzione (almeno una volta al mese):

1. Togliere tutta la biancheria dal cesto.
2. Avviare un programma cotone con la temperatura più alta con una piccola quantità di detersivo in polvere oppure, ove disponibile, avviare il programma Pulizia.

### 13.6 Guarnizione dell'oblò

L'apparecchiatura è progettata con un **sistema di scarico autopulente** che permette alle leggere fibre di lanugine che cadono dai vestiti di essere scaricate con l'acqua. Controllare periodicamente la guarnizione. Monete, bottoni e altri piccoli oggetti possono essere recuperati alla fine del ciclo.



Pulirla se necessario con un detergente in crema a base di ammoniaca senza graffiare la superficie della guarnizione.



Osservare le istruzioni riportate sulle confezioni dei prodotti.

### 13.7 Pulizia del cesto

Controllare regolarmente il cesto per evitare depositi indesiderati.

Pulire il cesto con prodotti adatti all'acciaio inossidabile.



Attenersi sempre alle istruzioni riportate sulle confezioni dei prodotti.  
Per la pulizia del cesto, non utilizzare prodotti anticalcare acidi, prodotti abrasivi contenenti cloro o pagliette abrasive.

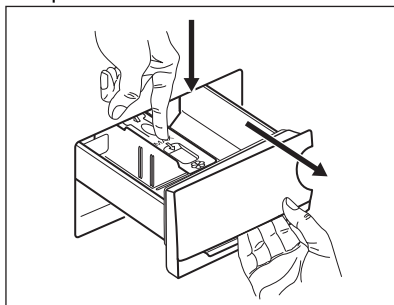
Per una pulizia completa:

1. Pulire il cesto con prodotti adatti all'acciaio inossidabile.
2. Avviare un programma cotone ad alta temperatura col cestello vuoto e una piccola quantità di detersivo in polvere oppure, ove disponibile, avviare il programma Pulizia.

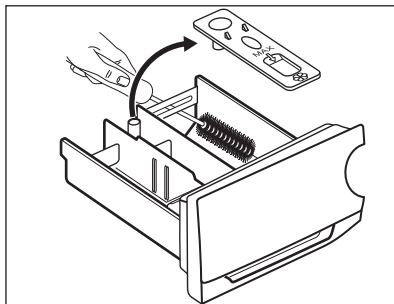
### 13.8 Pulizia del contenitore del detersivo

Per evitare possibili depositi di detersivo secco, oppure ostruzioni di ammorbidente e/o formazione di muffa nel cassetto del detersivo, ogni due mesi eseguire la procedura di pulizia seguente come spiegato negli schemi seguenti:

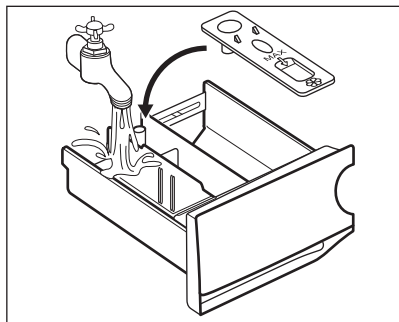
1. Aprire il cassetto. Premere il blocco verso il basso, come indicato nell'immagine, quindi estrarlo.



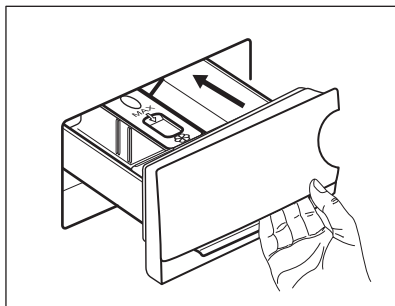
2. Togliere la parte superiore dello scomparto additivi per semplificare la procedura di pulizia. Verificare che tutti i residui di detersivo vengano rimossi dalla parte superiore e inferiore dell'incasso. Servirsi di una spazzola piccola per pulire l'incasso.



3. Sciacquare il cassetto del detersivo sotto l'acqua corrente calda per rimuovere eventuali tracce di detersivo accumulato. Dopo la pulizia, ricollocare la parte superiore in posizione.



4. Inserire il cassetto del detersivo nei binari della guida, quindi chiuderlo. Avviare il programma di risciacquo senza indumenti all'interno del cesto.



### 13.9 Pulizia della pompa di scarico

Controllare a intervalli regolari il filtro della pompa di scarico e verificare che sia pulito.

Pulire la pompa di scarico se:

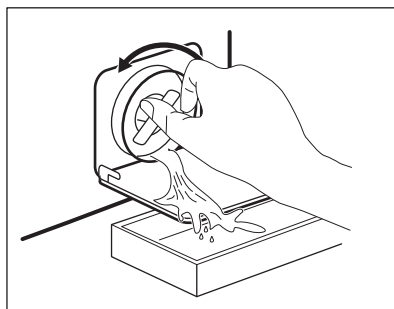
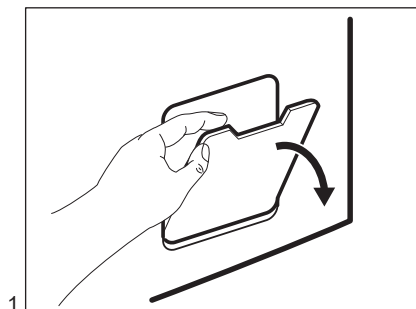
- L'apparecchiatura non scarica l'acqua.
- Il cesto non gira.
- L'apparecchiatura emette un rumore insolito a causa dell'ostruzione della pompa di scarico.
- Sul display compare il codice di allarme **E20**

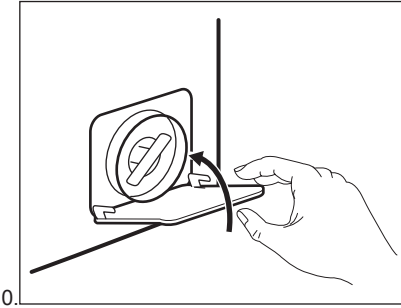
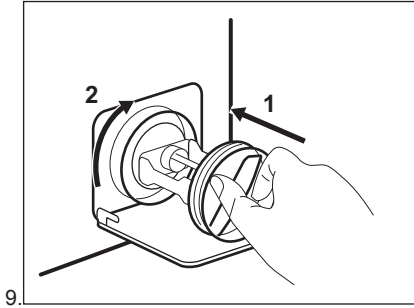
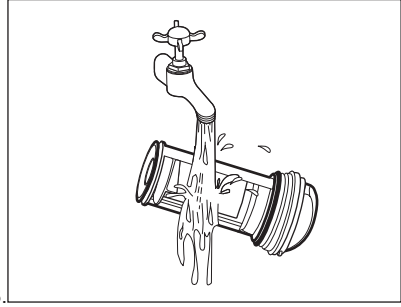
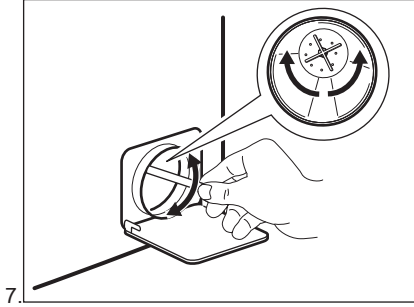
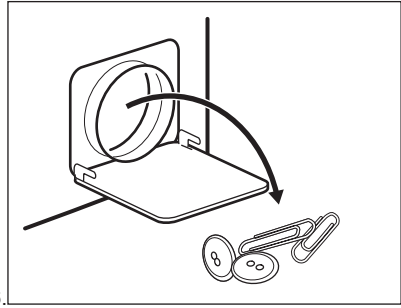
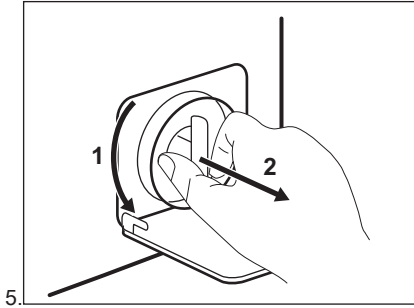
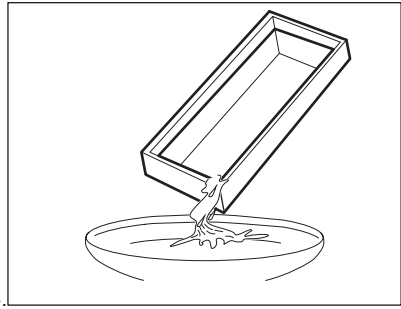
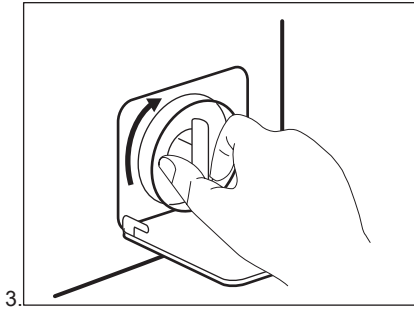
#### **⚠ AVVERTENZA!**

- Scollegare la spina di alimentazione dalla presa di corrente.
- Non rimuovere il filtro quando l'apparecchiatura è in funzione.
- Non pulire la pompa se l'acqua presente nell'apparecchiatura è calda. Attendere che l'acqua si raffreddi.
- Ripetere diverse volte il Passaggio 3 chiudendo e aprendo la valvola fino a che l'acqua non smette di fuoriuscire.

Tenere sempre a portata di mano uno straccio per asciugare l'acqua che potrebbe fuoriuscire quando si toglie il filtro.

Procedere come segue per effettuare la pulizia della pompa:





## **AVVERTENZA!**

Assicurarsi che la girante della pompa possa ruotare. Se non ruota, contattare il Centro Assistenza Autorizzato. Accertarsi inoltre di chiudere correttamente il filtro per evitare perdite.

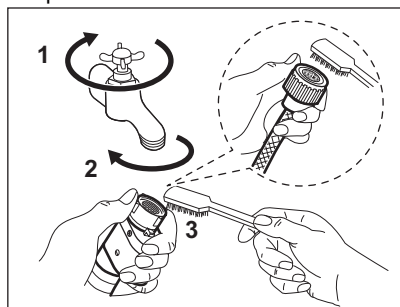
Quando si scarica l'acqua utilizzando la procedura di scarico di emergenza, è necessario attivare di nuovo il sistema di scarico:

1. Versare 2 litri di acqua nella vaschetta del lavaggio principale del contenitore del detersivo.
2. Avviare il programma per scaricare l'acqua.

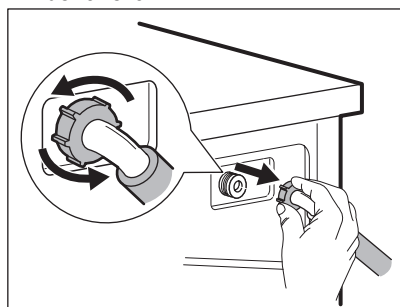
### **13.10 Pulizia del tubo di carico e del filtro della valvola**

Consigliamo di pulire i due filtri sul tubo di ingresso e la valvola a intervalli regolari per rimuovere eventuali depositi accumulatisi nel corso del tempo:

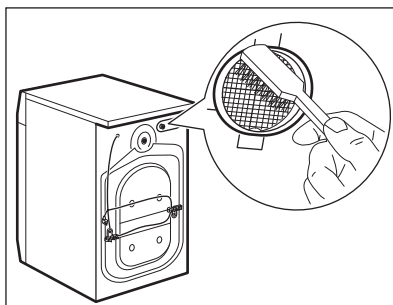
1. Togliere il tubo di ingresso del rubinetto e pulire il filtro.



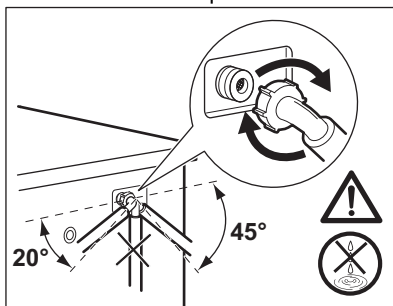
2. Togliere il tubo di ingresso dall'apparecchiatura allentato il dado dell'anello.



3. Pulire il filtro valvola sul retro dell'apparecchiatura con una spazzola.



4. Quando viene ricollegato il tubo sul retro dell'apparecchiatura, ruotarlo verso sinistra o destra (non in posizione verticale), a seconda della posizione del rubinetto dell'acqua.



### **13.11 Scarico di emergenza**

Qualora il dispositivo non scarichi acqua, eseguire la stessa procedura descritta nel paragrafo "Pulizia della pompa di scarico". Se necessario, pulire la pompa.

Quando si scarica l'acqua utilizzando la procedura di scarico di emergenza, è necessario attivare di nuovo il sistema di scarico:

1. Versare 2 litri d'acqua nello scomparto del lavaggio principale del contenitore del detersivo.
2. Avviare il programma per scaricare l'acqua.

### 13.12 Precauzioni antigelo

Se si installa l'apparecchiatura in un luogo in cui la temperatura può raggiungere valori intorno agli 0°C oppure scendere al di sotto di 0°C, togliere l'acqua residua dal tubo di carico dell'acqua e dalla pompa di scarico.

1. Scollegare la spina dalla presa di corrente.
2. Chiudere il rubinetto dell'acqua.

3. Sistemare le due estremità del tubo di carico in un contenitore e lasciare che l'acqua fluisca fuori dal tubo.
4. Svuotare la pompa di scarico. Fare riferimento alla procedura per lo scarico di emergenza.
5. Quando la pompa di scarico è vuota, rimontare il tubo di carico.

#### **AVVERTENZA!**

Accertarsi che la temperatura sia superiore a 0°C prima di utilizzare nuovamente l'apparecchiatura. Il produttore declina ogni responsabilità per danni causati da basse temperature.

## 14. RISOLUZIONE DEI PROBLEMI

#### **AVVERTENZA!**

Fare riferimento ai capitoli sulla sicurezza.

### 14.1 Codici di allarme e possibili guasti

L'apparecchiatura non si avvia o si blocca durante il funzionamento. Cercare dapprima di risolvere il problema (fare riferimento alla tabella).

#### **AVVERTENZA!**

Scollegare la spina dalla presa di corrente prima di eseguire qualsiasi controllo.

#### In alcuni casi il display visualizza un codice allarme e il pulsante

Avvio/Pausa può lampeggiare continuamente:

Problema	Possibile soluzione
<b>E 10</b> L'apparecchiatura non carica l'acqua in modo appropriato.	<ul style="list-style-type: none"> <li>• Controllare che il rubinetto dell'acqua sia aperto.</li> <li>• Controllare che la pressione dell'acqua di alimentazione non sia troppo bassa. Per ottenere informazioni a questo proposito, contattare l'ente erogatore locale.</li> <li>• Controllare che il rubinetto dell'acqua non sia ostruito.</li> <li>• Verificare che il tubo di carico non sia attorcigliato, danneggiato o piegato.</li> <li>• Controllare che il collegamento del tubo di carico dell'acqua sia stato eseguito correttamente.</li> <li>• Assicurarsi che il filtro del tubo di carico e il filtro della valvola non siano ostruiti. Fare riferimento al capitolo "Pulizia e cura".</li> </ul>

## E20

L'apparecchiatura non scarica l'acqua.

- Controllare che lo scarico del lavello non sia ostruito.
- Verificare che il tubo di scarico non sia attorcigliato o piegato.
- Controllare che il filtro di scarico non sia ostruito. Pulire il filtro, se necessario. Fare riferimento al capitolo "Pulizia e cura".
- Controllare che il raccordo del tubo di scarico sia stato eseguito correttamente.
- Impostare il programma di scarico se si seleziona un programma senza fase di scarico.
- Impostare il programma di scarico se si sceglie un'opzione che termina con l'acqua in vasca.

## E40

L'oblò dell'apparecchiatura è aperto o non è chiuso correttamente.

- Verificare che la porta sia chiusa correttamente.

## E91

Guasto interno. Assenza di comunicazione tra gli elementi elettronici dell'apparecchiatura.

- Il programma non si è concluso correttamente o l'apparecchiatura si è fermata troppo presto. Spegner e riaccendere la macchina
- In caso di ricomparsa del codice allarme, contattare il Centro di Assistenza Autorizzato.

## E40

L'alimentazione di rete è instabile.

- Attendere che l'alimentazione si stabilizzi.

Se il display mostra altri codici di allarme, disattivarli e attivare l'apparecchiatura. In caso di ricomparsa dell'anomalia, contattare il Centro di Assistenza Autorizzato.

In caso di problema diverso con la lavabiancheria, vedere la tabella di seguito per le possibili soluzioni.

Problema	Possibile soluzione
Il programma non si avvia.	<ul style="list-style-type: none"><li>• Verificare che la spina sia collegata alla presa elettrica.</li><li>• Controllare che la porta dell'apparecchiatura sia chiusa.</li><li>• Assicurarsi che il fusibile all'interno del quadro elettrico non sia danneggiato.</li><li>• Assicurarsi di aver premuto il tasto Avvio/Pausa .</li><li>• Se è stata impostata la Partenza ritardata, annullare l'impostazione o attendere il termine del conto alla rovescia.</li><li>• Disattivare la funzione Sicurezza bambino se attiva.</li><li>• Controllare la posizione della manopola sul programma selezionato.</li></ul>
L'apparecchiatura carica e scarica immediatamente l'acqua.	<ul style="list-style-type: none"><li>• Accertarsi che il tubo di scarico sia nella posizione corretta. Il tubo flessibile potrebbe essere posizionato troppo basso. Fare riferimento alla sezione "Istruzioni di installazione".</li></ul>
La fase di centrifuga non si avvia o il ciclo di lavaggio dura più a lungo del normale.	<ul style="list-style-type: none"><li>• Impostare il programma di centrifuga.</li><li>• Controllare che il filtro di scarico non sia ostruito. Pulire il filtro, se necessario. Fare riferimento al capitolo "Pulizia e cura".</li><li>• Sistemare manualmente i capi nella vasca e riavviare la fase di centrifuga. Il problema può essere legato a problemi di sbilanciamento.</li></ul>

<b>Problema</b>	<b>Possibile soluzione</b>
Presenza di acqua sul pavimento.	<ul style="list-style-type: none"> <li>• Assicurarsi che i raccordi dei tubi dell'acqua siano serrati e non vi siano perdite d'acqua.</li> <li>• Verificare che i tubi di carico e scarico dell'acqua non siano danneggiati.</li> <li>• Assicurarsi di utilizzare il detersivo adeguato e la giusta quantità.</li> </ul>
Non è possibile aprire la porta.	<ul style="list-style-type: none"> <li>• Verificare che non sia stato selezionato un programma di lavaggio che si conclude con l'acqua nella vasca.</li> <li>• Assicurarsi che il programma di lavaggio sia terminato.</li> <li>• Impostare il programma di scarico o di centrifuga se è presente dell'acqua nel cesto.</li> <li>• Assicurarsi che l'apparecchiatura sia alimentata dalla corrente elettrica.</li> <li>• Questo problema può essere causato da un malfunzionamento dell'apparecchiatura. Contattare il Centro Assistenza Autorizzato.</li> </ul>
L'apparecchiatura emette un rumore anormale e vibra.	<ul style="list-style-type: none"> <li>• Assicurarsi che il livellamento dell'apparecchiatura sia corretto. Fare riferimento alla sezione "Istruzioni di installazione".</li> <li>• Assicurarsi che l'imballaggio e/o i dadi per il trasporto siano stati rimossi. Fare riferimento alla sezione "Istruzioni di installazione".</li> <li>• Aggiungere altri capi nel cesto. Il carico potrebbe essere insufficiente.</li> </ul>
La durata del programma aumenta o diminuisce durante l'esecuzione del programma.	<ul style="list-style-type: none"> <li>• ProSense Technology consente di regolare la durata del programma a seconda del tipo e delle dimensioni del carico di bucato. Consultare la "Funzione di rilevamento del carico ProSense Technology" nel capitolo "Utilizzo quotidiano".</li> </ul>
I risultati del lavaggio non sono soddisfacenti.	<ul style="list-style-type: none"> <li>• Aumentare la dose di detersivo o utilizzare un altro prodotto.</li> <li>• Utilizzare un prodotto speciale per eliminare le macchie difficili prima di lavare la biancheria.</li> <li>• Accertarsi di impostare la temperatura corretta.</li> <li>• Ridurre il carico di biancheria.</li> </ul>
Troppa schiuma nel cesto durante il ciclo di lavaggio.	<ul style="list-style-type: none"> <li>• Ridurre la quantità di detersivo.</li> </ul>

Una volta effettuati questi controlli, attivare l'apparecchiatura. Il programma riprende dal punto in cui era stato interrotto.

In caso di ricomparsa dell'anomalia, contattare il Centro di Assistenza Autorizzato.

Le informazioni necessarie per il Centro di Assistenza si trovano sulla targhetta dei dati.

## 15. VALORI DI CONSUMO

### 15.1 Commento



Il codice QR sull'etichetta energetica fornita con l'apparecchiatura riporta un link web alle informazioni correlate al funzionamento di questa apparecchiatura nella banca dati EPREL dell'UE. Conservare l'etichetta energetica come riferimento insieme al manuale d'uso e a tutti gli altri documenti forniti con questa apparecchiatura.

È possibile trovare le stesse informazioni anche in EPREL utilizzando il link <https://eprel.ec.europa.eu> e il nome del modello e il numero di prodotto che si trovano sulla targhetta dell'apparecchiatura.



I valori e la durata del programma possono variare a seconda delle diverse condizioni (ad es. temperatura ambiente, temperatura e pressione dell'acqua, dimensione del carico e tipo di biancheria, tensione di alimentazione) e anche se si modifica l'impostazione predefinita di un programma.

### 15.2 Conforme al regolamento UE 2019/2023 della Commissione

Programma Eco 40-60	kg	kWh	Litri	hh:mm	% 1)	°C	giri/min <sup>2)</sup>
Pieno carico	6.0	0.715	47.0	03:17	53.00	42.0	1151
Mezzo carico	3.0	0.400	36.0	02:35	53.00	31.0	1151
1/4 di carico	1.5	0.160	33.0	02:25	55.00	23.0	1151

1) Umidità residua alla fine della fase di centrifuga. Maggiore è la velocità di centrifuga, maggiore è il rumore e minore è l'umidità residua.

2) Velocità massima di centrifugazione.

#### Consumo di potenza in diverse modalità

Spento (W)	Stand-by (W)	Partenza ritardata (W)
0.50	0.50	4.00

La modalità Spento/Standby dura al massimo 15 minuti.

### 15.3 Programmi comuni



Questi valori sono solo indicativi.

Programma	kg	kWh	Litri	hh:mm	% 1)	°C	giri/ min <sup>2)</sup>
Cotoni <b>3)</b> 95 °C	6.0	1.900	70.0	03:20	53.00	85.0	1200
Cotoni 60 °C	6.0	1.100	65.0	03:20	53.00	55.0	1200
Cotoni <b>4)</b> 20 °C	6.0	0.200	65.0	02:20	53.00	20.0	1200
Sintetici 40 °C	3.0	0.600	65.0	02:15	35.00	40.0	1200
Delicati <b>5)</b> 30 °C	1.0	0.300	40.0	01:00	35.00	30.0	1200
Lana/Seta 30 °C	1.0	0.200	40.0	01:05	30.00	30.0	1200

1) Umidità residua alla fine della fase di centrifuga. Maggiore è la velocità di centrifuga, maggiore è il rumore e minore è l'umidità residua.

2) Indicatore di riferimento della velocità di centrifuga.

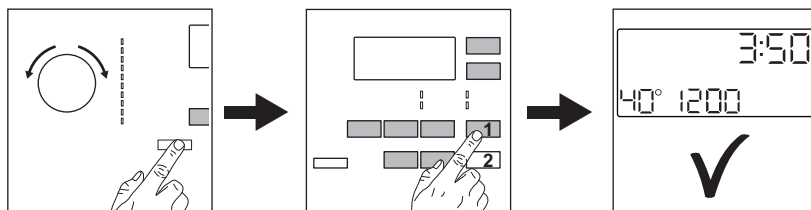
3) Adatto per il lavaggio di tessuti molto sporchi.

4) Adatta per lavare cotone, tessuti sintetici e misti poco sporchi.

5) Svolge anche un ciclo di lavaggio rapido per il bucato leggermente sporco.

## 16. GUIDA RAPIDA

### 16.1 Utilizzo quotidiano



Collegare la spina alla presa di corrente.

Aprire il rubinetto dell'acqua.


Caricare la biancheria.

Versare il detersivo e altri trattamenti nello scomparto adeguato del cassetto del detersivo.

1. Premere il tasto On/Off per attivare l'apparecchiatura. Ruotare il selettore

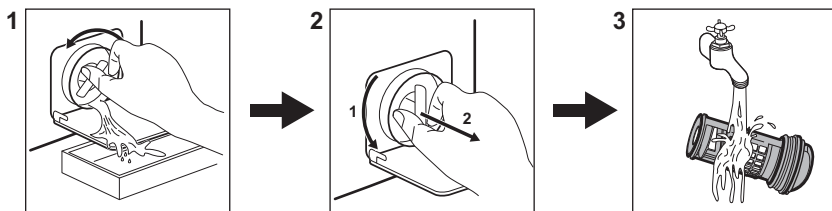
programma per impostare il programma desiderato.

2. Impostare le opzioni desiderate per mezzo dei pulsanti touch corrispondenti.

3. Per avviare il programma, premere il pulsante **Avvio/Pausa** .


Al termine del programma, togliere il bucato.

## 16.2 Pulizia del filtro della pompa di scarico



Pulire il filtro a intervalli regolati, e in particolare modo se il codice allarme **E20** viene visualizzato sul display.

## 16.3 Programmi

Programmi	Carico	Descrizione del prodotto
<b>Eco 40-60</b> 1)	6.0 kg	Cotoni bianchi e colorati. Capi normalmente sporchi.
<b>Cotoni</b>	6.0 kg	Cotone bianco e colorato.
<b>Sintetici</b>	3.0 kg	Capi in tessuti sintetici o misti.
<b>Delicati</b>	1.0 kg	Tessuti delicati quali capi acrilici, in viscosa e poliestere.
<b>Lana/Seta</b> 	1.0 kg	Lana lavabile a macchina, lana lavabile a mano e indumenti delicati.
<b>20 min. - 3 kg</b>	3.0 kg	Capi in cotone e sintetici leggermente sporchi o indossati una volta.
<b>Stiro Facile</b>	3.0 kg	Capi sintetici che richiedono un lavaggio delicato.
<b>Piumini</b>	2.0 kg	Coperte sintetiche per letto singolo, indumenti imbottiti, piumini e giacche a vento.
<b>Outdoor</b>	1.5 kg <sup>2)</sup> 1.0 kg <sup>3)</sup>	Indumenti sportivi moderni per attività all'aperto.
<b>Denim</b>	1.5 kg	Indumenti in denim e capi in jersey.

1) Secondo la norma UE 2019/2023 della Commissione, questo programma a 40 °C è in grado di pulire il bucato di cotone con un livello di sporco normale, dichiarato lavabile a 40 °C o 60 °C, insieme nello stesso ciclo.



Per la temperatura raggiunta nella lavanderia, la durata del programma e altri dati, consultare il capitolo "Valori di consumo".

I programmi più efficienti in termini di consumo energetico sono in genere quelli che funzionano a temperature più basse e durano più a lungo.

2) Programma di lavaggio.

3) Programma di lavaggio e fase di impermeabilizzazione.

Caricando l'apparecchiatura alla capacità massima indicata per ogni programma è

possibile ridurre il consumo di energia e di acqua.

### Detersivi adatti ai programmi di lavaggio

Programma	Polvere universale <sup>1)</sup>	Liquido universale	Liquido per colorati	Delicati in lana	Speciale
Eco 40-60	▲	▲	▲	--	--
Cotoni	▲	▲	▲	--	--
Sintetici	▲	▲	▲	--	--
Delicati	--	--	--	▲	▲
 Lana/Seta	--	--	--	▲	▲
20 min. - 3 kg	--	▲	▲	--	--
Stiro Facile	▲	▲	▲	--	--
Piumini	--	--	--	▲	▲
Outdoor	--	--	--	▲	▲
Denim	--	--	▲	▲	▲

<sup>1)</sup> A temperature superiori a 60 °C si consiglia l'uso di detersivo in polvere.

▲ = Consigliato

-- = Non consigliato

### 16.4 Tipo e quantità di detersivo.

- Usare solo detersivi e altri additivi adatti ai lavaggi in lavabiancheria: Per prima cosa, attenersi a queste regole generiche:
  - detersivi in polvere (anche pastiglie e detersivi monodose) per tutti i tipi di tessuto, esclusi quelli delicati. Optare per i detersivi in polvere che contengono candeggina per i bianchi e per l'igienizzazione del bucato,
  - detersivo liquido (anche detersivi monodose), preferibilmente per programmi di lavaggio a bassa temperatura (60 °C max.), per tutti i tipi di tessuto o per quelli speciali per la lana.
- Non mescolare tipi diversi di detersivi.
- Utilizzare meno detergente se:
  - si sta lavando un carico ridotto,
  - il bucato è poco sporco,
  - si forma molta schiuma durante il lavaggio.

- Quando si utilizzano pastiglie o capsule di detersivo, metterle sempre all'interno del cestello, non nel cassetto del detersivo e seguire le raccomandazioni del produttore.

#### Una quantità insufficiente di detersivo può causare:

- risultati di lavaggio insoddisfacenti,
- l'ingrigimento del carico di lavaggio,
- vestiti unti,
- muffa all'interno dell'apparecchiatura.

#### Una quantità eccessiva di detersivo può causare:

- formazione di schiuma,
- riduzione dell'effetto del lavaggio,
- risciacquo inadeguato,
- un maggiore impatto sull'ambiente.

### 16.5 Programma di pulizia periodica

#### La pulizia periodica aiuta a prolungare la durata dell'apparecchiatura.

Dopo ogni ciclo tenere lo sportello e il cassetto del detersivo aperti per far circolare l'aria e asciugare l'umidità all'interno dell'apparecchiatura.

Se l'apparecchiatura non viene utilizzata per un lungo periodo di tempo, chiudere il rubinetto dell'acqua e scollegarla dalla spina.

#### Programma indicativo di pulizia periodica:

Decalcificazione	Due volte l'anno
Lavaggio di manutenzione	Una volta al mese
Pulizia della guarnizione dell'obolo	Ogni due mesi
Pulizia del cesto	Ogni due mesi
Pulizia del cassetto del detersivo	Ogni due mesi
Pulizia del tubo di carico e del filtro della valvola	Due volte l'anno

Esaminare a intervalli regolari il cesto al fine di controllare la presenza di calcare. Si consiglia di eseguire occasionalmente un ciclo con un fusto vuoto e un prodotto decalcificante.

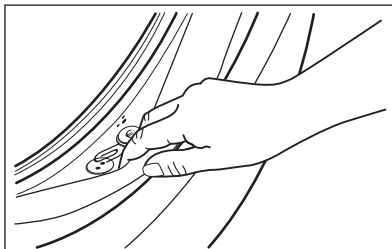
#### Rimuovere gli oggetti estranei



Prima di avviare il ciclo, assicurarsi che tutte le tasche siano vuote e le parti sciolte siano legate.

#### Guarnizione della porta


L'apparecchiatura è progettata con un **sistema di scarico autopulente** che permette alle leggere fibre di lanugine che cadono dai vestiti di essere scaricate con l'acqua. Esaminare regolarmente la guarnizione e, se necessario, pulirla come descritto negli schemi seguenti. Monete, bottoni e altri piccoli oggetti possono essere recuperati alla fine del ciclo.




Pulirla se necessario con un detergente in crema a base di ammoniaca senza graffiare la superficie della guarnizione.

Se necessario, togliere la lanugine e gli oggetti dall'incasso del filtro.

## 17. CONSIDERAZIONI SULL'AMBIENTE

Riciclare i materiali con il simbolo . Buttare l'imballaggio negli appositi contenitori per il riciclaggio. Aiutare a proteggere l'ambiente e la salute umana e a riciclare rifiuti derivanti da apparecchiature elettriche ed elettroniche. Non smaltire le apparecchiature che riportano

il simbolo  insieme ai normali rifiuti domestici. Portare il prodotto al punto di riciclaggio più vicino o contattare il comune di residenza.







**aeg.com**

155285152-A-152025



**CE**